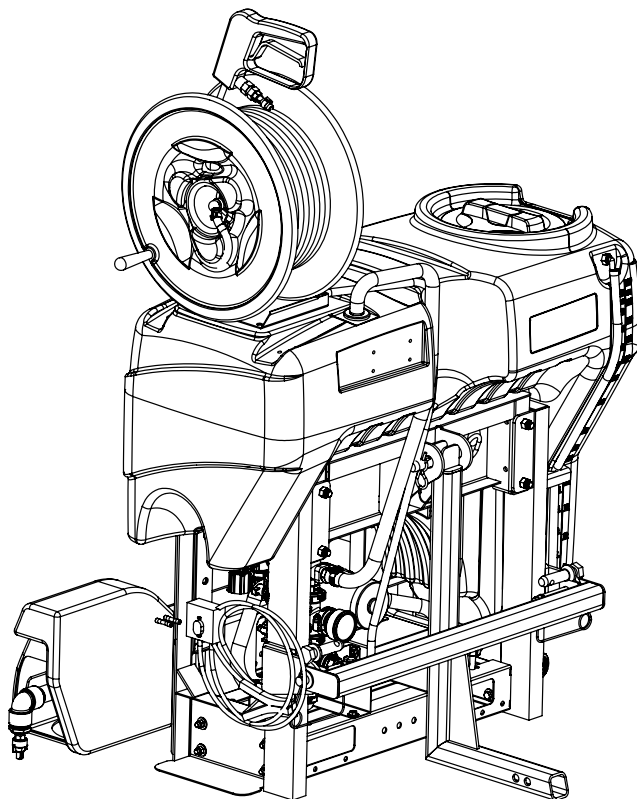


ICE MASTER® H-SERIES

OWNER'S MANUAL




Product Code:
IMH050

Version 1.1

Copyright © Enduraplas. All Rights Reserved.



CONTENTS

INTRODUCTION	3
<hr/>	
WARNINGS 	4 - 7
<hr/>	
GETTING STARTED	8 - 15
<hr/>	
CALIBRATING	16 & 17
<hr/>	
MAINTAINING	18 & 19
<hr/>	
TROUBLESHOOTING	20 & 21
<hr/>	
WARRANTY	22 - 25
<hr/>	
PARTS BREAKDOWNS - ICE MASTER® H-SERIES	26 - 35

INTRODUCTION

Congratulations! You now own a Camion™ sprayer. Durable design and construction assure you a lifetime of extreme performance. No sprayer is tougher. No sprayer will last longer.

Take a look through this owner's manual to learn how the pros use their Camion™ sprayer.



Watch Instruction Videos:

www.youtube.com

Discover More Helpful Tips:

www.icecontroltraining.com

WARNINGS

1. Do not exceed vehicle manufacturers loading, towing or lifting specifications and regulations.
2. Ensure tank is firmly secured in an appropriate manner.
3. Use caution at all times, particularly when driving on rough terrain.
4. Comply with chemical manufacturers safety requirements and all relevant legislations.
5. **ALWAYS** keep tank tightly covered, to prevent children or animals from entering tank.
6. Tank is not fire resistant. **NEVER** expose it to open flame or heat.
7. Keep sharp objects from tank. Tank could be punctured and contents could escape and cause injury to persons or property.
8. This tank can be used only with polyethylene compatible liquids. If you are uncertain, ask chemical supplier if material can safely be stored in a polyethylene tank. **USE OF TANK WITH ANY OTHER MATERIAL COULD CAUSE TANK TO FAIL, RESULTING IN INJURY OR PROPERTY DAMAGE.**
9. **DO NOT MIX CHEMICALS. THIS CAN RESULT IN DAMAGE TO THE TANK OR NEARBY PERSONS OR PROPERTY.**
10. Clean out tank before changing chemicals **OTHERWISE A DANGEROUS MIXTURE OF CHEMICALS COULD CAUSE DAMAGE TO PERSONS, TANK OR PROPERTY.**
11. Regular service and maintenance is the Owner's responsibility and is a condition of your warranty.
12. **FAILURE TO COMPLY WITH ALL WARNINGS AND INSTALLATION INSTRUCTIONS WILL VOID WARRANTY.**

13. No modifications and/or alterations may be made to this sprayer. Any such modifications not only void the sprayer warranty but can make the unit dangerous to anyone operating the pump.
14. Always inspect hoses and piping to avoid burst injuries.
15. DO NOT turn suction valve off while pump is running.
NEVER RUN PUMP DRY.
16. When connecting this sprayer to your vehicle, ensure that you have read the vehicles Owner's Manual and that you comply with all the weight restrictions can cause injury or death.
17. To ensure your own safety and that of others, you must comply with all relevant environmental, work place health, safety legislation and codes of practice.
18. Select and wear appropriate Personal Protection Equipment in accordance with the label of the product you intend to use.
19. Care should be taken when spraying in windy conditions as spray drift may contaminate the air and may affect the operator and damage the adjacent non-target vegetation.
20. Once the spraying operation has been completed, decontaminate the spray tank and spray accessories. Dispose of tank rinsing's in compliance with current environmental, work place health and safety regulations.
21. Personal Protection Equipment must still be worn while decontaminating your sprayer as per warning 20 above.
22. Improper or careless use of this sprayer can cause serious injury. Minors should not be used when bystanders or animals are in the area. This sprayer should never be used while children are in the area.

23. Never leave the sprayer unattended without turning off the pump, relieving the line pressure, and flushing the sprayer of any harmful chemicals.
24. You must be in good mental health to operate this sprayer and not be under the influence of alcohol or any drugs that could impair your vision, physical strength, dexterity, judgement, or other mental capacity.
25. No modifications and/or alterations may be made to this sprayer. Any such modifications not only void the sprayer warranty but can make the unit dangerous to anyone operating the pump.
26. Always inspect hoses and piping to avoid burst injuries.

COMPATIBLE LIQUIDS

Calcium Chloride Brine, Salt Brine and Premium Branded Liquids.

⚠ Caution: Brine that contain tacky substances or solid particles may clog pumps and nozzles. These are not recommended.

⚠ Warning: DO NOT USE any products that contain petroleum or petroleum by-products of any kind. These destroy seals and will void warranty.

Discover More Helpful Tips:
www.IceControlTraining.com

GETTING STARTED

Setting Up Your Sprayer

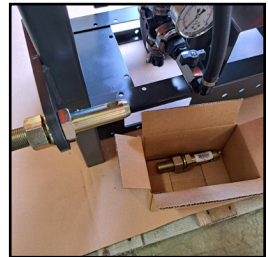
1) Remove hose from under sprayer and coil up hose on the two brackets mounted on top of tank.



2) Connect the spray gun in the wand clips.



3) Remove mounting point pins from accessory box and install on the two sprayer mounting points.



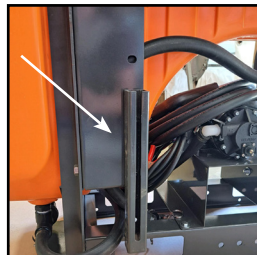
GETTING STARTED

Mounting Your Boom

1) Take the four 3/8" x 1-1/2" carriage bolts and feed them through the back of the boom and install the 3/8" SS flat washer then the 3/8" SS lock washer and loosely install 3/8" SS hex nut.



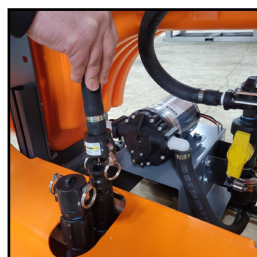
2) Slide boom down adjustable brackets, guiding the carriage bolts into the slots.



3) Using a 9/16" socket and extension, tighten boom at desired height.



4) Connect supply hose to desired spray bar on boom using the camlock connector.



GETTING STARTED

Hooking Up Sprayer

1) Back the tractor up to the sprayer aligning tractor hitch points with the arms at the height of the two lower mounting points.



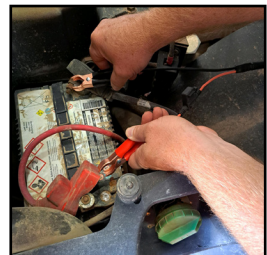
2) Hook the two lower tractor hitch arms to the mounting point pins on sprayer, then secure with lock pin.



3) Hook up the top three point arm on tractor to the third (top) mounting point on the sprayer and insert the lock pin.



4) Route wire harness (make sure wire is not pinched or kinked) to your desired power supply and connect battery cables to their perspective posts. Red to positive post and black to negative post.



GETTING STARTED**Add On Options**

1) If you ordered an optional hose reel with your unit, take hose reel from under the sprayer and set on top of tank opposite to lid end.

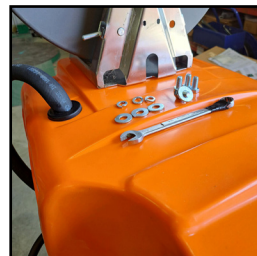


2) Secure hose reel frame to tank with provided hardware.

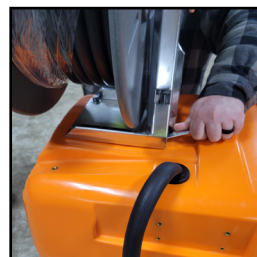
Qty. 4 - 3/8" x 3/4" bolts.

Qty. 4 - 3/8" flat washers.

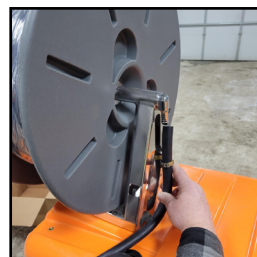
Qty. 4 - 3/8" lock washers.



3) Tighten the bolts, securely fastening hose reel to tank using a 9/16" wrench.



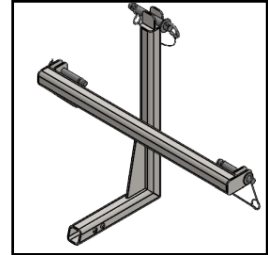
4) Connect 1/2" hose reel feed line to hose barb connection on the reel with supplied 1/2" hose clamp.



GETTING STARTED

Add On Options

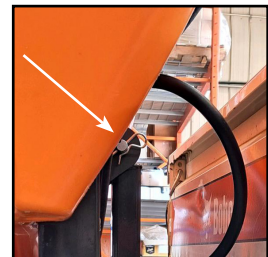
1) If you purchased an optional receiver hitch mount, unpackage hitch and provided pins.



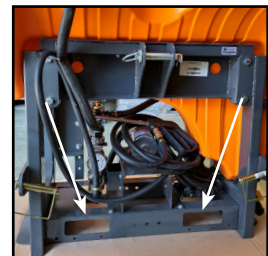
2) Take 3/4" x 4-1/4" quick connecting gold pins and insert into two lower mounting points connecting receiver hitch to unit.



3) Then, take 7/8" x 4-1/4" chrome pin and insert in top mounting connection, securing with provided R clip.



4) Next, lift unit using fork points in frame to align receiver mount to hitch.

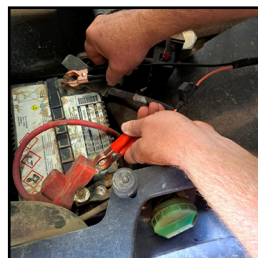


GETTING STARTED**Add On Options**

5) Align holes on hitch and receiver and install lock pin.



6) Route your wire harness to desired power supply (making sure wire is not pinched or kinked).



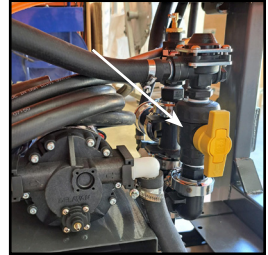
GETTING STARTED

Operating Your Sprayer

1) Take tank lid off and fill tank at least a quarter full with water, enough to run through the system to check all components are functioning correctly and are leak free.



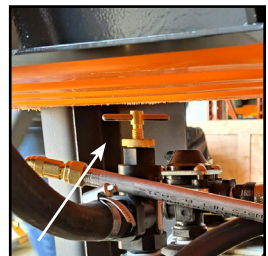
2) Ensure the inline valve between tank and pump is in open position (parallel to hose) to allow the liquid to flow from the tank to the pump.



3) Power on sprayer pump using the switch on wire harness. If there is liquid in the tank and the valve in step 2 is in the open position, the pump should prime automatically.



4) Adjust regulating valve to acquire desired pressure. Start by threading the regulating valve all the way down (clockwise), then back off 3 revolutions (counterclockwise).





Watch Instruction Videos:

www.youtube.com

Discover More Helpful Tips:

www.IceControlTraining.com

CALIBRATING

Note: Always double check your application rates.
The rate/acre listed is only based off the center section
(not the two side nozzles)

NOZZLE COLOR	PSI	CAPACITY ONE NOZZLE IN GPM				4 MPH	6 MPH	8 GPM	10 MPH
		0.50	0.71	0.87	1.00				
Stainless Steel	10	0.50	0.71	0.87	1.00	25	16.5	12.4	9.9
	20	0.71	0.87	1.00	1.16	35	23	17.6	14.1
	30	0.87	1.00	1.16	1.33	43	29	22	17.2
	40	1.00	1.16	1.33	1.50	50	33	25	19.8
White	20	0.56	0.72	0.88	1.04	42	28	21	16.6
	30	0.72	0.88	1.04	1.20	53	36	27	21
	40	0.88	1.04	1.20	1.36	59	40	30	24
	50	1.04	1.20	1.36	1.52	65	44	33	26
Green	15	0.092	0.106	0.120	0.133	68	46	34	27
	20	0.106	0.120	0.133	0.147	79	52	39	31
	30	0.120	0.133	0.147	0.160	97	64	48	39
	40	0.133	0.147	0.160	0.173	111	74	56	45

GPM = Gallons Per Minute

GPA = Gallons Per Acre

GAL/1000 FT = Gallons Per 1000 Square Feet

W = Nozzle spacing

Gallons Per Minute Formula:

$$\frac{\text{GPA} \times \text{MPH} \times \text{W (per nozzle)}}{5,940}$$

Gallons Per Minute Formula:

$$\frac{\text{GAL}/1000\text{FT} \times \text{MPH} \times \text{W (per nozzle)}}{136}$$

Gallons Per Acre Formula:

$$\frac{5,940 \times \text{GPM (per nozzle)}}{\text{MPH} \times \text{W}}$$

Gallons Per 1000 Square Feet:

$$\frac{136 \times \text{GPM (per nozzle)}}{\text{MPH} \times \text{W}}$$

Convert Acres to Lane Mile:

$$1.4545 = 1 \text{ Lane Mile}$$

Note: For video instructions on how to calibrate a boom visit <http://bit.ly/IMS-boom-calibration>

MAINTAINING

Keeping your sprayer in good condition will help you lengthen the life of the sprayer. Everyone knows a well maintained piece of equipment ensures a longer life span. Sprayer maintenance can seem a huge task if you don't have the right tools.



Watch Instruction Videos:

www.youtube.com

Discover More Helpful Tips:

www.IceControlTraining.com

The information applies in normal operating conditions. The specific intervals must be shortened accordingly for longer daily working hours. If the machine is only used occasionally, the intervals can be extended accordingly.	Before starting work	X										
	At the end of work and/or daily		X	X	X	X						
	Weekly or every 40 operating hours											
	After the first 5 operating hours											
	Every 250 operating hours or once a year											
	If damaged								X			X
	If required						X	X		X		
	Visual inspection (condition, leaks)											
	Complete machine											
		Clean										
Tank, hoses and fittings												
	Clean											
	Drain											
In-line filter												
	Clean											
Spray lance nozzle												
	Clean											
	Replace											
All accessible screws and nuts												
	Tighten											
Safety labels												
	Replace											
Pump												
	Maintain											

Read and follow all maintenance and care instructions in the Pump manual.

TROUBLESHOOTING

CONDITION	CAUSE	REMEDY
Pump will not prime	1) Air leak on suction plumbing 2) Blocked/Restricted intake hose 3) Filter cap disengaged 3) Filter gasket damaged/missing	1) Tighten/replace fittings & hose clamps. Verify suction hoses are in good condition 2) Remove blockage from suction line, ensure line is not kinked 3) Lock filter cap into position 4) Replace filter gasket
Pressure drops/ fluctuates during standard operation	1) Restriction on suction line 2) Pump sucking air 3) Plugged filter 4) Damaged regulator	1) Inspect tank and suction lines and remove restriction 2) Tighten fittings 3) Remove and clean filter mesh and housing 4) Remove regulator stem and inspect for broken parts/pieces

CONDITION	CAUSE	REMEDY
Pressure gauge not registering	1) Plugged with debris	1) Un-thread, check and clean pressure gauge
Hand gun loses pressure	1) Debris in hose or nozzle 2) Pump losing prime 3) Pump pressure dropping/fluctuating	1) Un-thread nozzle tip and clean 2) See Remedy for 'Pump will not prime or loses prime' 3) See Remedy for 'Pressure drops/ fluctuates during standard operation'



Watch Instruction Videos:

www.youtube.com

Discover More Helpful Tips:

www.iceControlTraining.com

WARRANTY

1. Poly Tank Limited Warranty - Subject to other terms in this Limited Warranty, Manufacturer warrants to the original end user that this Tank will be free from material defects caused during the manufacturing process for a period of 5 years from the Purchase Date provided such warranty to the original end user shall be extended to 10 years from the Purchase Date if the original end user registers the Tank with Manufacturer within 30 days of the Purchase Date. To register the Limited Warranty, registration must be completed in accordance with the requirements set forth at enduraplaswarranty.com

Other Products and Parts Limited Warranty - Subject to other terms in this Limited Warranty, Manufacturer warrants to the original end user that products and parts manufactured by Manufacturer (other than tanks) will be free from material defects caused during the manufacturing process for a period of 1 year from the Purchase Date unless otherwise expressly stated in writing by Manufacturer that an extended warranty applies.

2. Other Warranties Disclaimed and Excluded

THERE ARE NO WARRANTIES, EXPRESS OR IMPLIED, WHICH EXTEND BEYOND THE LIMITED WARRANTY HEREIN STATED, AND MANUFACTURER EXPLICITLY DISCLAIMS AND EXCLUDES ANY AND ALL OTHER WARRANTIES INCLUDING BUT NOT LIMITED TO WARRANTIES OF MERCHANTABILITY, FITNESS FOR PARTICULAR PURPOSE, CUSTOM OR USAGE OF TRADE, AND COURSE OF DEALING. NO AGENT, EMPLOYEE OR REPRESENTATIVE OF MANUFACTURER HAS AUTHORITY TO BIND MANUFACTURER TO ANY REPRESENTATION OR WARRANTY EXCEPT AS STATED IN THIS LIMITED WARRANTY.

3. Limitation of Liability under the Limited Warranty - In addition to those warranties disclaimed and excluded in clause 2 above, Manufacturer expressly further limits its warranty and liability under the Limited Warranty as set forth below in this clause 3.
- 3.1. The liability of Manufacturer under this Limited Warranty is excluded to the extent that any defect has been caused or contributed to by:
- a) any accident, contamination, tampering, willful damage, abuse, modification, improper storage, improper use (including but without limitation the storage of material) or negligent act of, or omission by, any person other than Manufacturer;
 - b) the improper installation of the Goods, or deterioration of the base on which any of the Goods rest or are mounted to;
 - c) any damage to the Goods caused by storm, wash away, landslide, mudslide, lightning, or any other natural phenomenon, vermin or other pests, and any undermining of the base of the Tank through any cause whatsoever;
 - d) the repositioning of the Goods from their original installation;
 - e) weathering or degradation of the Goods due to extreme climatic conditions;
 - f) improper installation of extra fittings;
 - g) any staining or discoloration, including from trees or ash fall-out from fires or other causes;
 - h) a Tank not being placed on a base that is free of any protruding objects of any kind;
 - i) a Tank being used for any purpose other than the storage of suitable liquids at the ambient temperatures.

3.2. Without limiting the generality of clause 3.1:

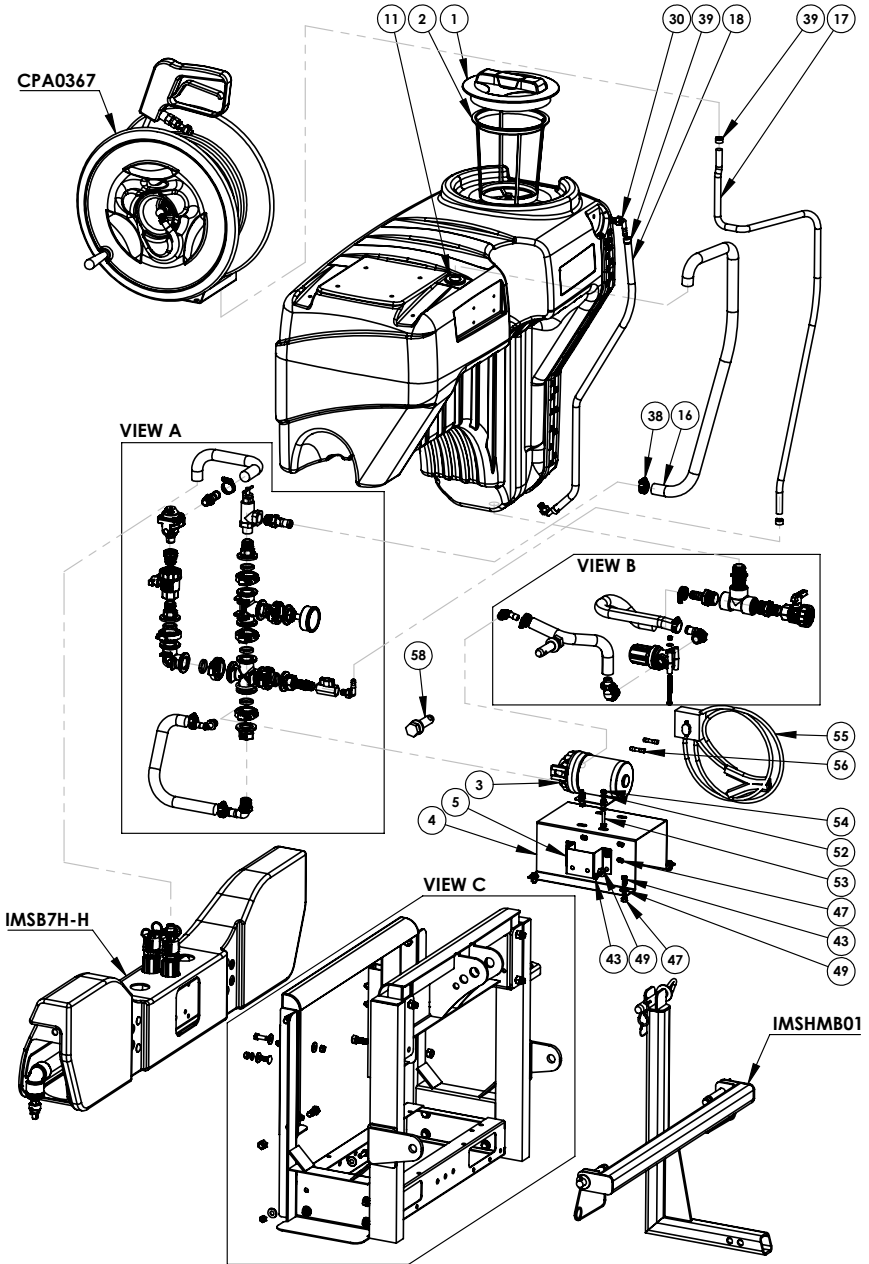
- a) Manufacturer will not be liable for any personal injury, indirect or incidental damages, consequential losses, loss of liquids, loss of profit or any like claims whatsoever arising from any use of, or incidental to, or repairs to any of the Goods by a party other than Manufacturer;
- b) to the extent that any component or material (including, but without limitation the polyethylene) used in the manufacture of any of the Goods is supplied and/or manufactured by a third party, the liability of Manufacturer is limited to Manufacturer's right of redress (if any) against the third-party supplier/manufacturer;
- c) Tanks feature a vented lid at the time of manufacture. Any subsequent pressurization of the Tank by removing the vent, sealing the vent, or otherwise will cause this Limited Warranty as to such Tank to be null and void.
- d) The liability of Manufacturer under this Limited Warranty is limited to, at Manufacturer's discretion:
- e) providing a replacement Good (including shipping but excluding other replacement costs);
- f) refunding an amount equal to a sum equal to the current Retail price divided by the months in the warranty, multiplied by the months remaining in the warranty period;
- g) repairing the Good at no cost.

4. Proof of Purchase - The original invoice or other similar proof of purchase of the applicable must be provided by Purchaser to Manufacturer when making a claim under this Limited Warranty. Warranty claims must be received in writing by Manufacturer within the Limited Warranty period.

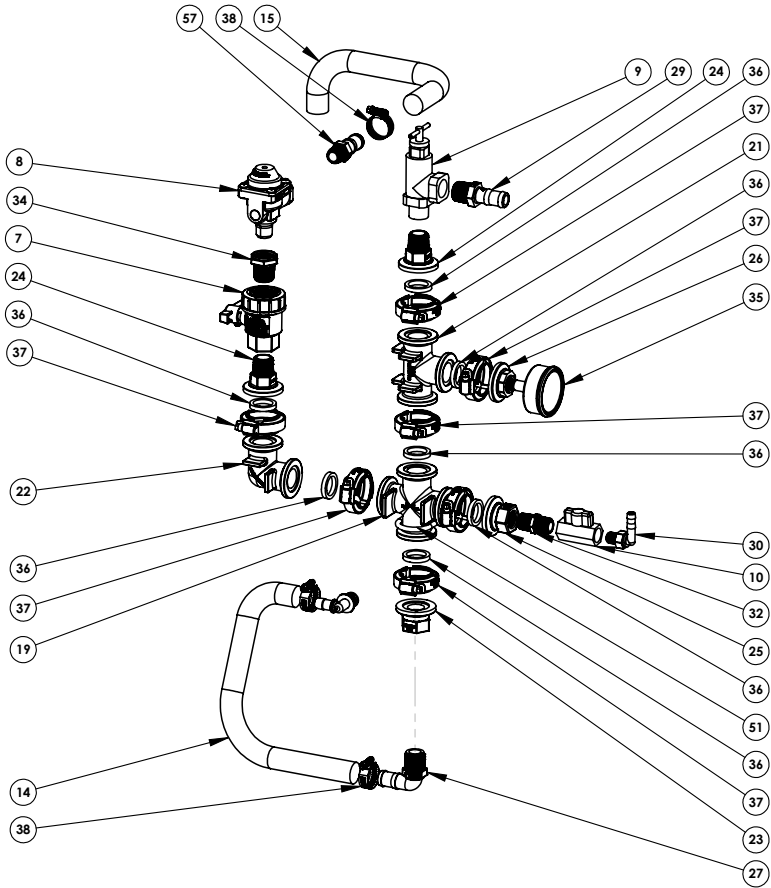
5. Claims and Questions - If you have questions about this Limited Warranty or to make a warranty claim, contact Manufacturer at: customercare@enduraplas.com
6. Definitions - For this Limited Warranty the following definitions apply:
 - a) Manufacturer means Enduraplas LLC.
 - b) Purchase Date means the date upon which the applicable goods were purchased by the original end user.
 - c) Purchase Price means the actual price paid for the Tank by the original Purchaser.
 - d) Tank means the storage Tank manufactured by Manufacturer and purchased by the original end user Purchaser being the subject matter of the Limited Warranty.
 - e) Good(s) mean Tanks and/or other products or parts manufactured by Enduraplas LLC.
 - f) Limited Warranty means this written Limited Warranty.
7. State Law - Some states do not allow the exclusion or limitation of incidental or consequential damages, so the above limitation and exclusion may not apply to certain parties. Some states do not allow limitation on how long an implied warranty lasts, so the above limitation may not apply to certain parties. This limited warranty gives specific legal rights and other rights, which vary from state to state, may also apply.
8. Governing Law - This Limited Warranty will be governed by the laws of the State of Minnesota, without giving effect to any choice of law rule that would cause the application of the laws of any other jurisdiction.

OVERVIEW

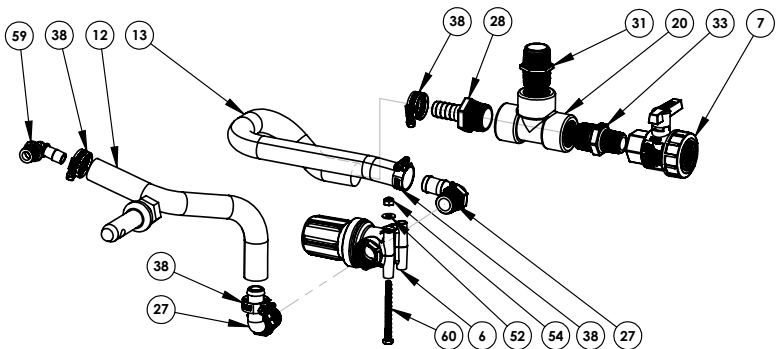
ICE MASTER® H-SERIES



DETAIL VIEW A

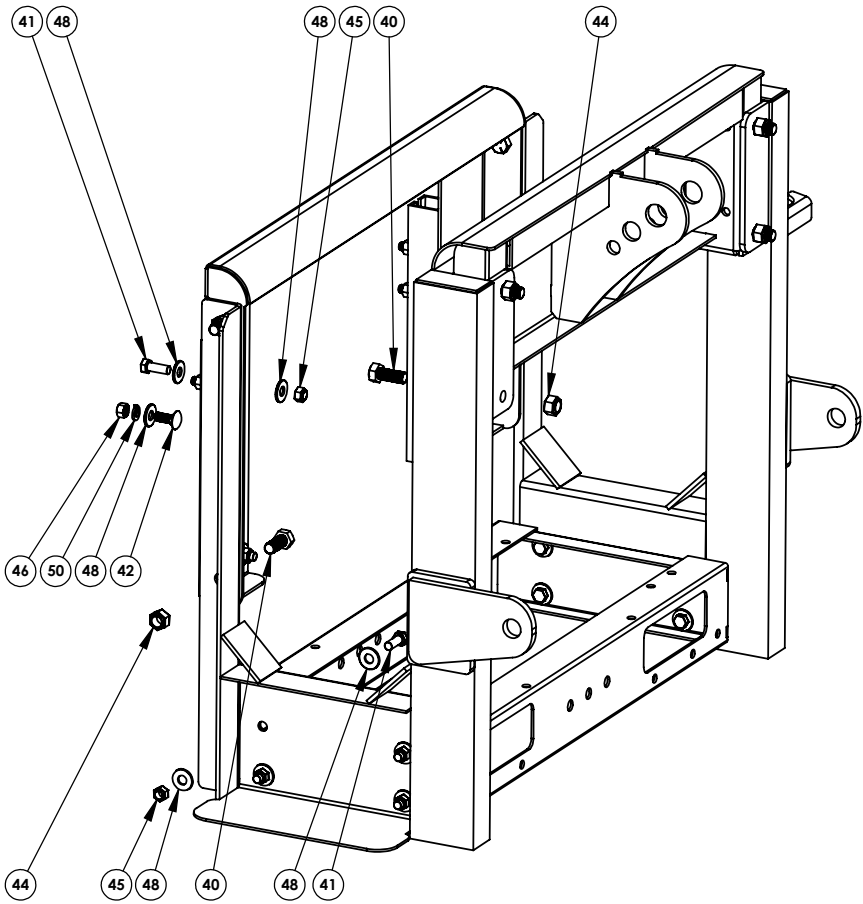


DETAIL VIEW B



DETAIL VIEW C

ICE MASTER® H-SERIES



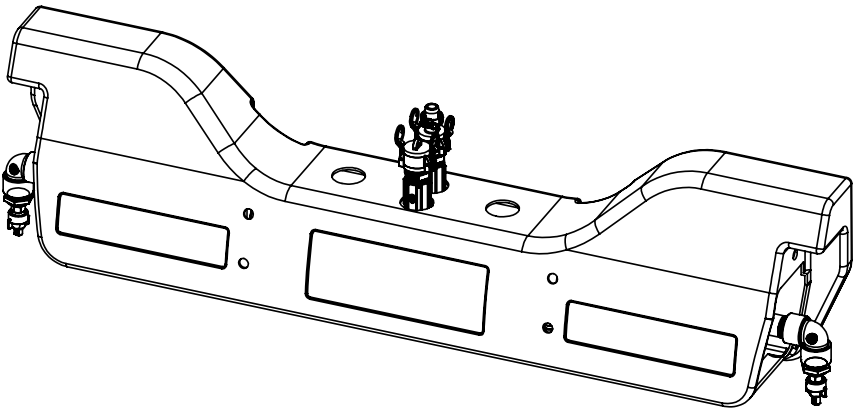
PARTS LIST

ITEM NO.	Part #	DESCRIPTION	QTY.
1	CA3511221	8 inch lid	1
2	CA300116	8 inch filter basket	1
3	APD07G060PQB	7 GPM 60PSI, Bypass, 1/2" Quick Attach	1
4	CSLC652	Pump Baseplate for IMS H-Series	1
5	CSLC653	Plumbing Bracket for IMS H-Series	1
6	CBLSTM07550	3/4 T-Strainer with Mesh Screen	1
7	CVPBV234	3/4 FPT Union Valve	2
8	CNST013	.5NPT x .5FPT Check Valve	1
9	CVRV20660158	3/4 Pressure Relief Valve	1
10	CVS34DX1	1/2 FIP x 1/2 FIP T-Handle Ball Valve	1
11	CPFG15	3/4 Press fit hose grommet	1
12	CLUESB020004	3/4 EPDM Hose	1
13	CLUESB020004	3/4 EPDM Hose	1
14	CLUESB020004	3/4 EPDM Hose	1
15	CLUESB020004	3/4 EPDM Hose	1
16	CLUESB020004	3/4 EPDM Hose	1
17	CLUESB020002	1/2 EPDM Hose	1
18	CLUVGC02502	Site gauge hose	1
19	CBM100CR	1" Flanged Cross	1
20	CBTEE100	1 FNPT Pipe Tee	1
21	CBM100TEE	1" Manifold Tee	1
22	CBM100CPG90	1" Manifold Coupling 90	1
23	CBM100075FPT	1 IN Flange x .75 FPT	1
24	CBM100075MPT	1 IN Flange x .75 IN Male Thread	2
25	CBM100050FPT	1 IN Flange x .5 IN Female Thread	1
26	CBM100PLG025	1 IN Flange x .25 FPT	1
27	CBHB07590	3/4 Male Thread x 3/4 Hose Shank 90	3
28	CBHB100075	1 Male thread x .75 hose barb	1
29	HB075	.75 Hose Barb x .75 Male Thread	1
30	CBHB02505090	1/4 MNPT x 1/2 Hose Barb	3
31	CFPN05M05M	1 Short Poly Nipple	1
32	CBNIP050SH	.5 IN Short Poly Nipple	1

PARTS LIST

ITEM NO.	Part #	DESCRIPTION	QTY.
33	CBRN100-075	1 x 3/4 Poly Reducing Nipple	1
34	RB075-050	.75-in x .5-in Reducer Bushing	1
35	CV2241GXB100	Pressure gauge 100psi Glycerin filled	1
36	CBM100G	1" Manifold Gasket	7
37	CBFC100	1" Worm Screw Flange Clamp	7
38	CFCW001	Clamp For 3/4" Hose	8
39	CFCC003	Clamp for 1/2" Hose	4
40	CHBZ050625	1/2" x 1 1/4" Bolt	8
41	CHBZ030525	3/8" x 1" Bolt	10
42	CHBZ030525C	3/8" x 1 Carriage Bolt	4
43	CHBZ020325	5-16 x .75 Hex Bolt	8
44	CHNZN0525	1/2" Nylock Nut	8
45	CHNZN0325	3/8" Nylock Nut	10
46	CHNZH0325	3/8" Nut	4
47	CHNZN0225	5/16 Nylock nut	8
48	CHWZF035	3/8" Flat Washer	24
49	CHWZF025	5/16 Flat washer	8
50	CHWZL035	3/8 Lock washer	4
51	CHUS031234001	1-in U-Bolt	1
52	CHWZF015	1/4" Flat Washer	9
53	CHBZ010725	1/4 X 1-1/2 Bolt	4
54	CHNZN0125	1/4 Nylock nut	5
55	CEWCIM01	Ice Master Wire Harness	1
56	CTEW029	Buff Connector Crimp	2
57	CBHB050075	1/2" MPT x .75 Hose Barb	1
58	CV151IP	3 point CAT 1 imp pin	2
59	CPPDD019	5900 Series 3/4" Elbow 90	2
60	CHBZ011325	.25 x 3 Bolt	1

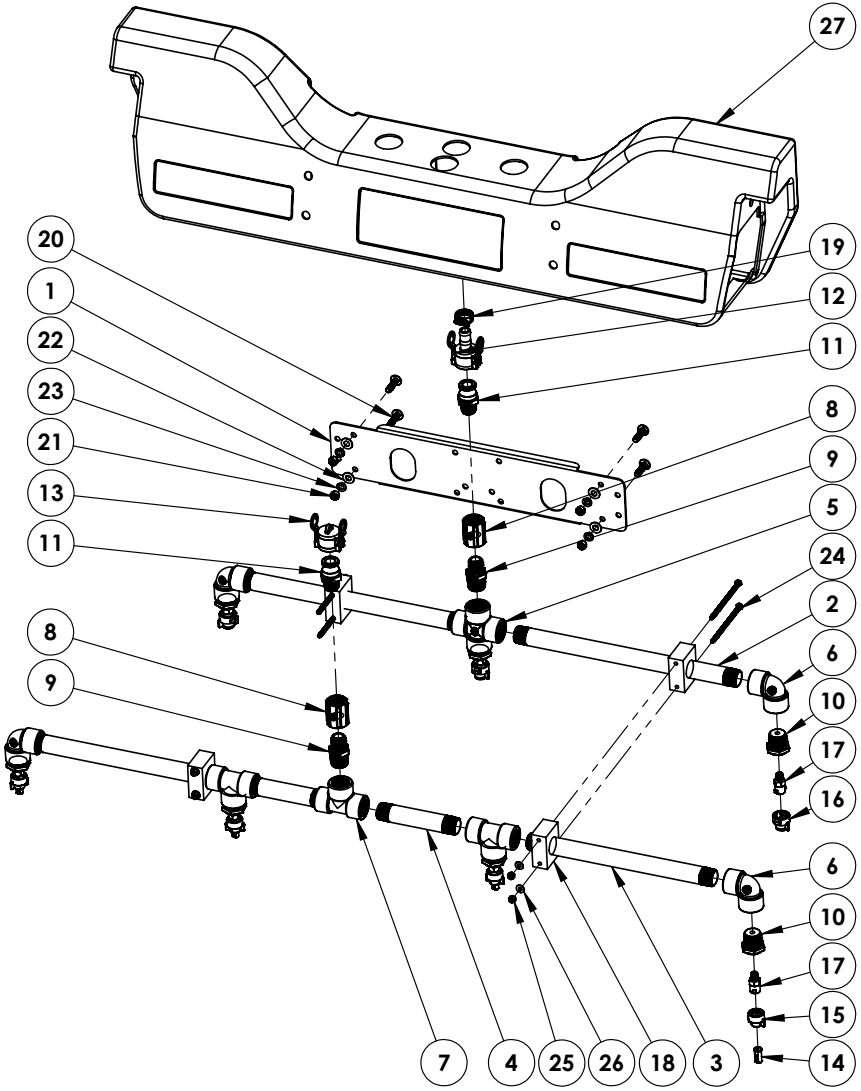
ICE MASTER® H-SERIES



IMSB7H - 7 NOZZLE BOOM FOR 3-POINT, 55 GAL.

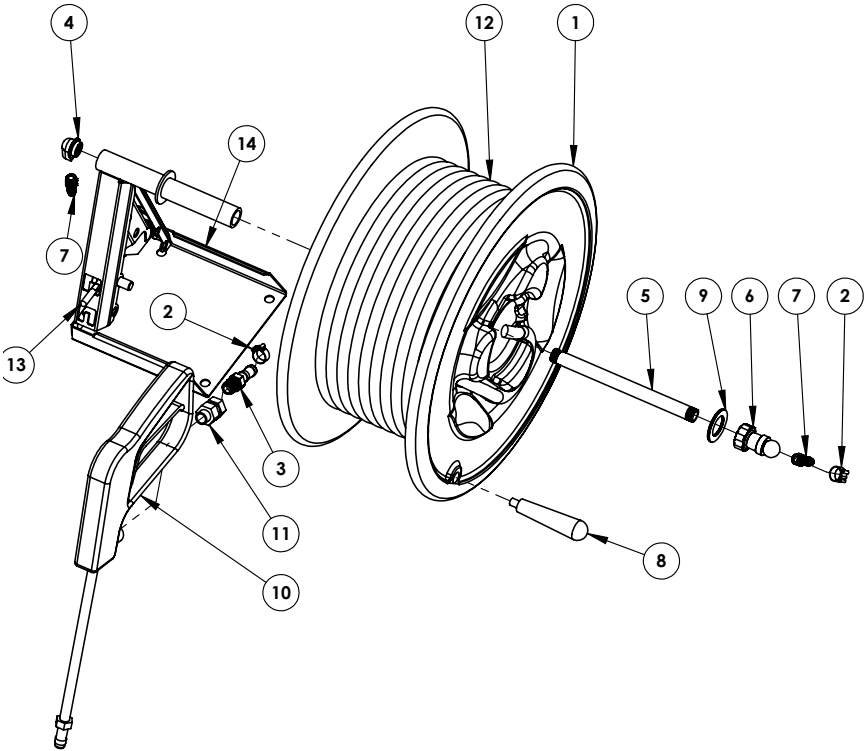
OVERVIEW

ICE MASTER® H-SERIES



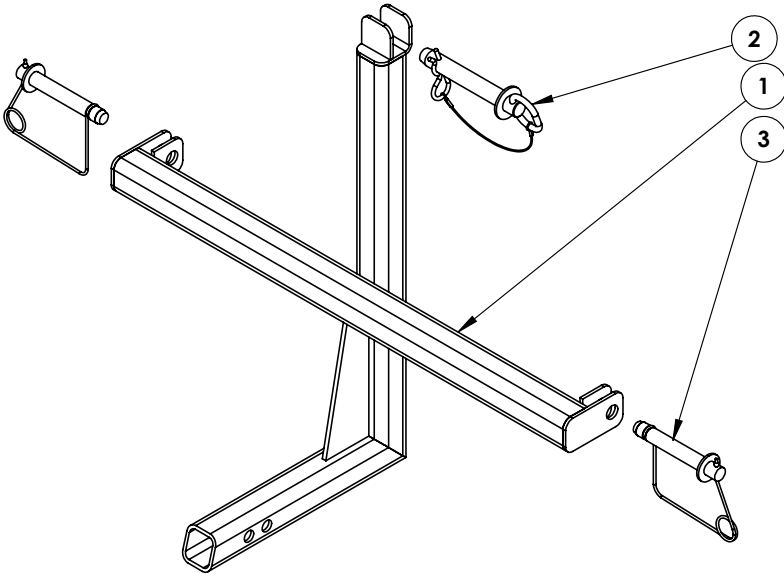
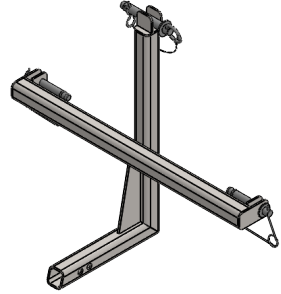
ITEM NO.	Part #	DESCRIPTION	QTY.
1	AZFPM005	IMS4-6 Stainless boom bracket	1
2	AZFPM020	1" x 17-3/4" Poly Pipe For Deicing Boom	2
3	AZFPM022	1" x 14-13/16" Poly Pipe For Deicing Boom	2
4	AZFPM021	1" x 6-1/4" Poly Pipe For Deicing Boom	2
5	CBCR100	1" Poly Pipe Cross	1
6	CBEL10090	1" Poly Pipe Elbow 90	4
7	CBTEE100	1 FNPT Pipe Tee	3
8	CBCPLG075	3/4" Poly Pipe Coupling	2
9	CBRN100-075	1 x 3/4 Poly Reducing Nipple	2
10	CBRB100025	1" MPT x 1/4" FPT Reducer Bushing	7
11	CB075F	3/4 Male Adaptor x 3/4 MPT	2
12	CB075C	3/4" Female Coupling X 3/4" Hose Shank	1
13	CB075CAP	1/2 and 3/4 Camlock cap	1
14	CNST002	3 Stream White Nozzle	4
15	CNST004	25598 REP. CAP CE White & Washer	4
16	CNST009	TeeJet Tip/CAP XR 1-1/2 GPM	3
17	CNST017	TeeJet 1/4" NPT x BSPT Female Connection Adapter	7
18	AZFPM015	1" Pipe Clamp	4
19	CFCW001	Clamp For 3/4" Hose	1
20	CHBS030723C	3/8" x 1-1/2" SS Carriage Bolt	4
21	CHNSH0323	3/8" SS Hex Nut	4
22	CHWSF033	3/8" SS Flat Washer	4
23	CHWSL033	3/8" SS Lock Washer	4
24	CHBS012123	1/4" x 5" Long 18-8 Stainless Hex Head Bolt	4
25	CHNSN0123	1/4" Stainless Lock Nut	4
26	CHWSF013	1/4" SS Flat Washer	4
27	AMICS001	Poly Shroud For Deicing Boom	1

ITEM NO.	PART #	DESCRIPTION	QTY.
1	AMAH01GY	HR030/050 REEL ONLY	1
2	CFCC003	Clamp for 1/2" Hose	2
3	CFPS01M02B	3/8 MPT X 1/2 HOSE BARB	1
4	CFRB06	1/4-3/8 BSP FEMALE ELBOW	1
5	CFRB07	STAINLESS PIPE 3/8 THREAD BOTH ENDS	1
6	CFRB08	3/8 X 1/4 BALL BEARING SWIVEL	1
7	CFRB09	1/4 MALE THREAD X 1/2 HOSE BARB	2
8	CFRH03C	PHENOIC TAPERED HANDLE	1
9	CHWZF105	1 SAE Flat Washer	1
10	CVSTAL26SH	SPRAY GUN 9 INCH BARREL	1
11	CVSW038	3/8 FPT X 3/8 MPT SWIVEL	1
12	CLUESB020002	1/2 EPDM HOSE - 50"	1
13	AZKH0018	Lock for Small Hose Reel	1
14	AZKH0003	30-50 Base Mount HR Frame	1



CPA0367

ITEM NO.	Part #	DESCRIPTION	QTY.
1	AZKI009	Bracket for Tail Gate Mount Sprayer Rev.0	1
2	CHCS0920618	Steel Hitch Pin, 7/8" Dia x 4-1/4" Usable Length	1
3	CV712HP	.75 IN x 4.25 IN snap Lock Hitch Pin	2



IMSHMB01



Watch Instruction Videos:
www.youtube.com

Discover More Helpful Tips:
www.IceControlTraining.com

ACTIVATE YOUR 10-YEAR WARRANTY

How to Activate

To double your 5-year tank warranty,
visit www.camionsystems.com/warranty/
and register this product.



Watch Instruction Videos:
www.youtube.com

Discover More Helpful Tips:
www.icecontroltraining.com



CAMION[®]
by Enduraplas

1 (877) 265-9929
cs@camionsystems.com
www.camionsystems.com

113 1st Street, Neche
ND 58265, USA



Discover More Helpful Tips:
www.IceControlTraining.com