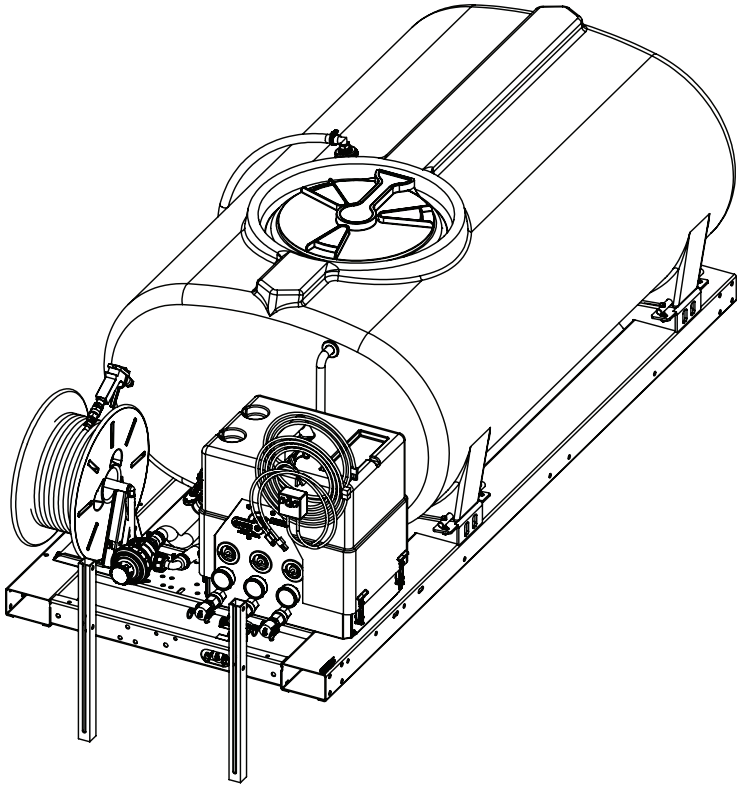


ICE MASTER® E-SERIES

OWNER'S MANUAL




Product Codes:
IMS250E217, IMS300E17
IMS500E17

Version 1.3

Copyright © Enduraplas. All Rights Reserved.



CONTENTS

INTRODUCTION	3
<hr/>	
WARNINGS 	4 & 5
<hr/>	
GETTING STARTED	6 - 17
<hr/>	
CALIBRATING	18 & 19
<hr/>	
MAINTAINING	20 & 21
<hr/>	
TROUBLESHOOTING	22 & 23
<hr/>	
WARRANTY	24 - 27
<hr/>	
PARTS BREAKDOWNS - E-SERIES	28 - 43

INTRODUCTION

Congratulations! You now own an Camion™ sprayer. Durable design and construction assure you a lifetime of extreme performance. No sprayer is tougher. No sprayer will last longer.

Take a look through this owner's manual to learn how the pros use their Camion™ sprayer.



Watch Instruction Videos:
www.youtube.com

Discover More Helpful Tips:
www.IceControlTraining.com


WARNINGS


1. Do not exceed vehicle manufacturers loading, towing or lifting specifications and regulations.
2. Ensure tank is firmly secured in an appropriate manner.
3. Use caution at all times, particularly when driving on rough terrain.
4. Comply with chemical manufacturers safety requirements and all relevant legislations.
5. ALWAYS keep tank tightly covered, to prevent children or animals from entering tank.
6. Tank is not fire resistant. NEVER expose it to open flame or heat.
7. Keep sharp objects from tank. Tank could be punctured and contents could escape and cause injury to persons or property.
8. This tank can be used only with polyethylene compatible liquids. If you are uncertain, ask chemical supplier if material can safely be stored in a polyethylene tank. USE OF TANK WITH ANY OTHER MATERIAL COULD CAUSE TANK TO FAIL, RESULTING IN INJURY OR PROPERTY DAMAGE.
9. DO NOT MIX CHEMICALS. THIS CAN RESULT IN DAMAGE TO THE TANK OR NEARBY PERSONS OR PROPERTY.
10. Clean out tank before changing chemicals OTHERWISE A DANGEROUS MIXTURE OF CHEMICALS COULD CAUSE DAMAGE TO PERSONS, TANK OR PROPERTY.
11. Regular service and maintenance is the Owner's responsibility and is a condition of your warranty.
12. FAILURE TO COMPLY WITH ALL WARNINGS AND INSTALLATION INSTRUCTIONS WILL VOID WARRANTY.

13. No modifications and/or alterations may be made to this sprayer. Any such modifications not only void the sprayer warranty but can make the unit dangerous to anyone operating the pump.
14. Always inspect hoses and piping to avoid burst injuries.
15. DO NOT turn suction valve off while pump is running. NEVER RUN PUMP DRY.

COMPATIBLE LIQUIDS

Calcium Chloride Brine, Salt Brine and Premium Branded Liquids.

 **Caution:** Brine that contain tacky substances or solid particles may clog pumps and nozzles. These are not recommended.

 **Warning:** DO NOT USE any products that contain petroleum or petroleum by-products of any kind. These destroy seals and will void warranty.

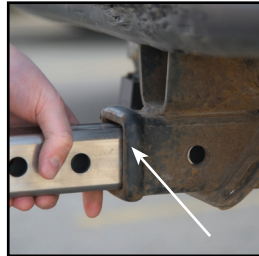
Discover More Helpful Tips:
www.IceControlTraining.com

GETTING STARTED**Setting-up the Sprayer**

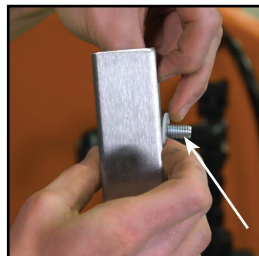
1) Wind the hose reel handle into place.



2) If you ordered a hitch mount boom for your Ice Master® E-Series unit, you can mount it to the hitch on your pickup.



3) If you wish to mount a boom, add the bolts and plastic washers to each of the boom brackets.



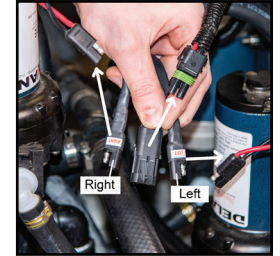
4) Connect the brackets to the frame and loosely secure them in order to mount the boom.

**GETTING STARTED****Setting-up the Sprayer**

5) Feed the wire harness through the hole in the back of the metal box.



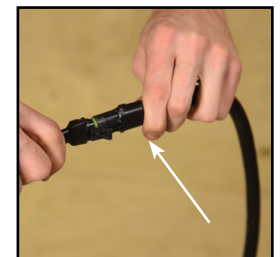
6) Connect the cables to the pumps. Make sure to plug in the correct connectors to the corresponding pumps as shown in this image.



7) Run the power cable up to your cab and connect it to your controller.

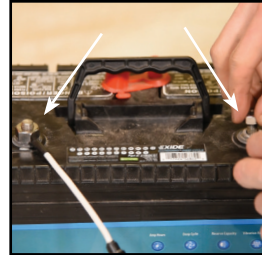


8) Connect the controller to the power cables.



GETTING STARTED**Setting-up the Sprayer**

- 9) Hook up the power cables to your battery.

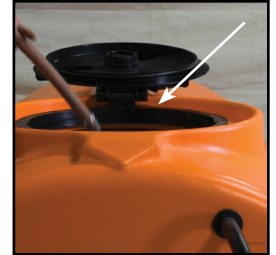


Watch Instruction Videos:
www.youtube.com

Discover More Helpful Tips:
www.IceControlTraining.com

GETTING STARTED**Operating the Sprayer**

- 1) You will need to complete a liquid recirculation test before using the sprayer. Start by filling the tank at least 1/4 full of water.



- 2) Make sure the cam lock caps are on your right, left, and center boom ports.



- 3) Turn all three pressure regulators **counter clockwise** until they are fully open.



- 4) Switch the yellow handle to the horizontal position labeled as “boom spray”.



GETTING STARTED**Operating the Sprayer**

5) Switch on all three pumps, using the solenoid controller.



6) Once the pumps are running, check that water is recirculating freely back into the tank. Once liquid is circulating back into the tank, your re-circulation test is complete.



7) Turn your pumps back off. Once your pumps are no longer running tighten the pressure regulators **clockwise** until they are tight.

**Important Note:**

You will need to keep your pressure regulators tightened, for maximum pressure. You can expect approximately 20-30 psi from your center pump and approximately 10-15 psi from your left and right pumps.

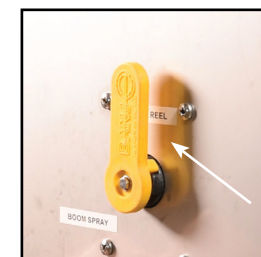
GETTING STARTED**Operating the Sprayer****Pro Tip:**

When you are spraying using all three pumps, you will be outputting approximately 10 gallons per minute.

8) If you wish to fill the tank from an external source, hook up your fill hose to the external fill valve and make sure the valve is open. Then start the pump at your liquid source and it will pump liquid straight into the tank.



9) To use the spray gun, ensure the valve to the hose reel is in the open position.



10) To clean your filter during use, twist the red insert clockwise and pull it out. This will engage a valve in the filter body to stop liquid from draining out the line.



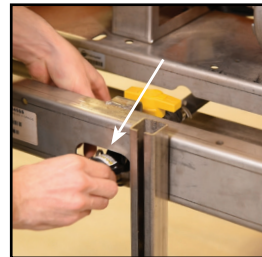
GETTING STARTED

Operating the Sprayer

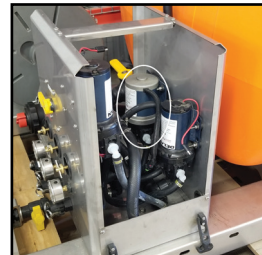
11) Unscrew the cap and remove the filter for cleaning.



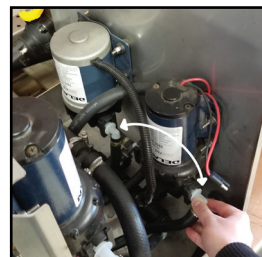
12) To drain your tank, remove the cam-lock cap on the front of the frame and open the valve. This will completely drain the tank as the hose is fed from the bottom sump in the tank.



13) If you are experiencing trouble with your center lane pump while spraying, you can exchange it with one of the side discharge pump ports to continue spraying with your center lane.



14) Simply unhook the hoses and exchange the pump hook ups.

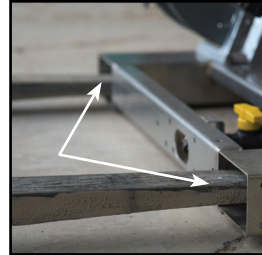


Watch Instruction Videos:
www.youtube.com

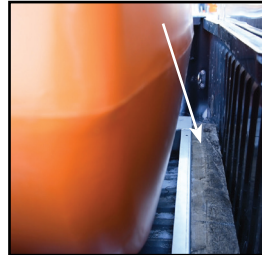
Discover More Helpful Tips:
www.IceControlTraining.com

GETTING STARTED**Installing the Sprayer**

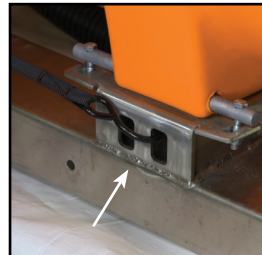
1) The two openings at the front of the frame allow you to move the unit using fork points.



2) When loading your sprayer, we recommend placing a block of wood between your sprayer and the front of the bed of your truck.



3) On the Ice Master® E-Series, there are tie-down points on the side of the frame that allow you to strap the unit down.



4) We recommend you run clean water through the entire unit before using salt brine to check for any unexpected leaks caused in shipping.



Ice Master® E-Series

GETTING STARTED**Installing the Sprayer**

5) If you ordered a storage stand, you can attach the legs with the pin system supplied.

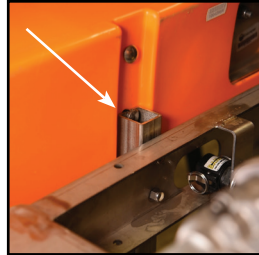


Watch Instruction Videos:
www.youtube.com

Discover More Helpful Tips:
www.IceControlTraining.com

GETTING STARTED**Connecting the Boom**

1) Slide the boom on to the quick attach brackets.



2) Tighten the hardware making sure the square neck on the carriage bolt is fully inserted through the slot.



3) Take the hose, connect it to its fitting, and tighten it using the camlock.



4) Once the boom is secure, tighten the hardware on the boom brackets to make sure they are also secure.



Watch Instruction Videos:
www.youtube.com

Discover More Helpful Tips:
www.IceControlTraining.com

CALIBRATING

Note: Always double check your application rates.
The rate/acre listed is only based off the center section
(not the two side nozzles)

NOZZLE COLOR	PSI	CAPACITY ONE NOZZLE IN GPM	MPH			
			4 MPH	6 MPH	8 MPH	10 MPH
Stainless Steel	10	0.50	62	41	31	25
	20	0.71	88	59	44	35
	30	0.87	108	72	54	43
	40	1.00	124	82	62	50
White	20	0.56	69	46	35	28
	30	0.72	89	59	45	36
	40	0.80	99	66	50	40
	50	0.88	109	73	54	44
Green	15	0.92	114	76	57	46
	20	1.06	131	87	66	52
	30	1.30	161	107	80	64
	40	1.50	186	124	93	74

GPM = Gallons Per Minute
GPA = Gallons Per Acre
GAL/1000 FT = Gallons Per 1000 Square Feet
W = Nozzle spacing

Gallons Per Minute Formula:

$$\frac{\text{GPA} \times \text{MPH} \times \text{W (per nozzle)}}{5,940}$$

Gallons Per Minute Formula:

$$\frac{\text{GAL/1000FT} \times \text{MPH} \times \text{W (per nozzle)}}{136}$$

Gallons Per Acre Formula:

$$\frac{5,940 \times \text{GPM (per nozzle)}}{\text{MPH} \times \text{W}}$$

Gallons Per 1000 Square Feet:

$$\frac{136 \times \text{GPM (per nozzle)}}{\text{MPH} \times \text{W}}$$

Convert Acres to Lane Mile:

$$1.4545 = 1 \text{ Lane Mile}$$

Note: For video instructions on how to calibrate a boom visit <http://bit.ly/IMS-boom-calibration>

TROUBLESHOOTING

CONDITION	CAUSE	REMEDY
Pump will not prime	1) Air leak on suction plumbing 2) Blocked/Restricted intake hose 3) Filter cap disengaged 3) Filter gasket damaged/missing	1) Tighten/replace fittings & hose clamps. Verify suction hoses are in good condition 2) Remove blockage from suction line, ensure line is not kinked 3) Lock filter cap into position 4) Replace filter gasket
Pressure drops/ fluctuates during standard operation	1) Restriction on suction line 2) Pump sucking air 3) Plugged filter 4) Damaged regulator	1) Inspect tank and suction lines and remove restriction 2) Tighten fittings 3) Remove and clean filter mesh and housing 4) Remove regulator stem and inspect for broken parts/pieces

CONDITION	CAUSE	REMEDY
Pressure gauge not registering	1) Plugged with debris	1) Un-thread, check and clean pressure gauge
Hand gun loses pressure	1) Debris in hose or nozzle 2) Pump losing prime 3) Pump pressure dropping/fluctuating	1) Un-thread nozzle tip and clean 2) See Remedy for 'Pump will not prime or loses prime' 3) See Remedy for 'Pressure drops/ fluctuates during standard operation'



Watch Instruction Videos:
www.youtube.com

Discover More Helpful Tips:
www.IceControlTraining.com

WARRANTY

1. Poly Tank Limited Warranty - Subject to other terms in this Limited Warranty, Manufacturer warrants to the original end user that this Tank will be free from material defects caused during the manufacturing process for a period of 5 years from the Purchase Date provided such warranty to the original end user shall be extended to 10 years from the Purchase Date if the original end user registers the Tank with Manufacturer within 30 days of the Purchase Date. To register the Limited Warranty, registration must be completed in accordance with the requirements set forth at enduraplaswarranty.com

Other Products and Parts Limited Warranty - Subject to other terms in this Limited Warranty, Manufacturer warrants to the original end user that products and parts manufactured by Manufacturer (other than tanks) will be free from material defects caused during the manufacturing process for a period of 1 year from the Purchase Date unless otherwise expressly stated in writing by Manufacturer that an extended warranty applies.

2. Other Warranties Disclaimed and Excluded

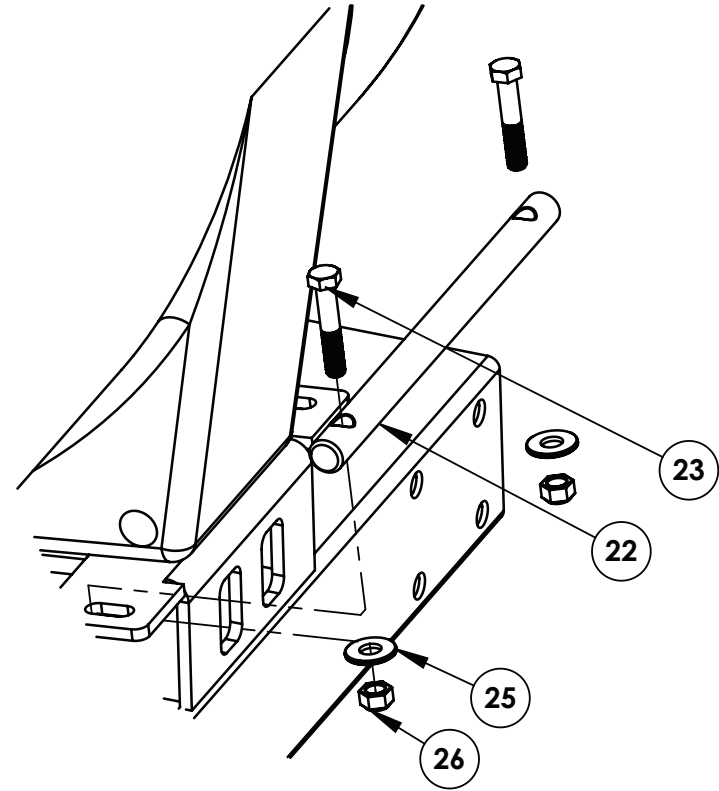
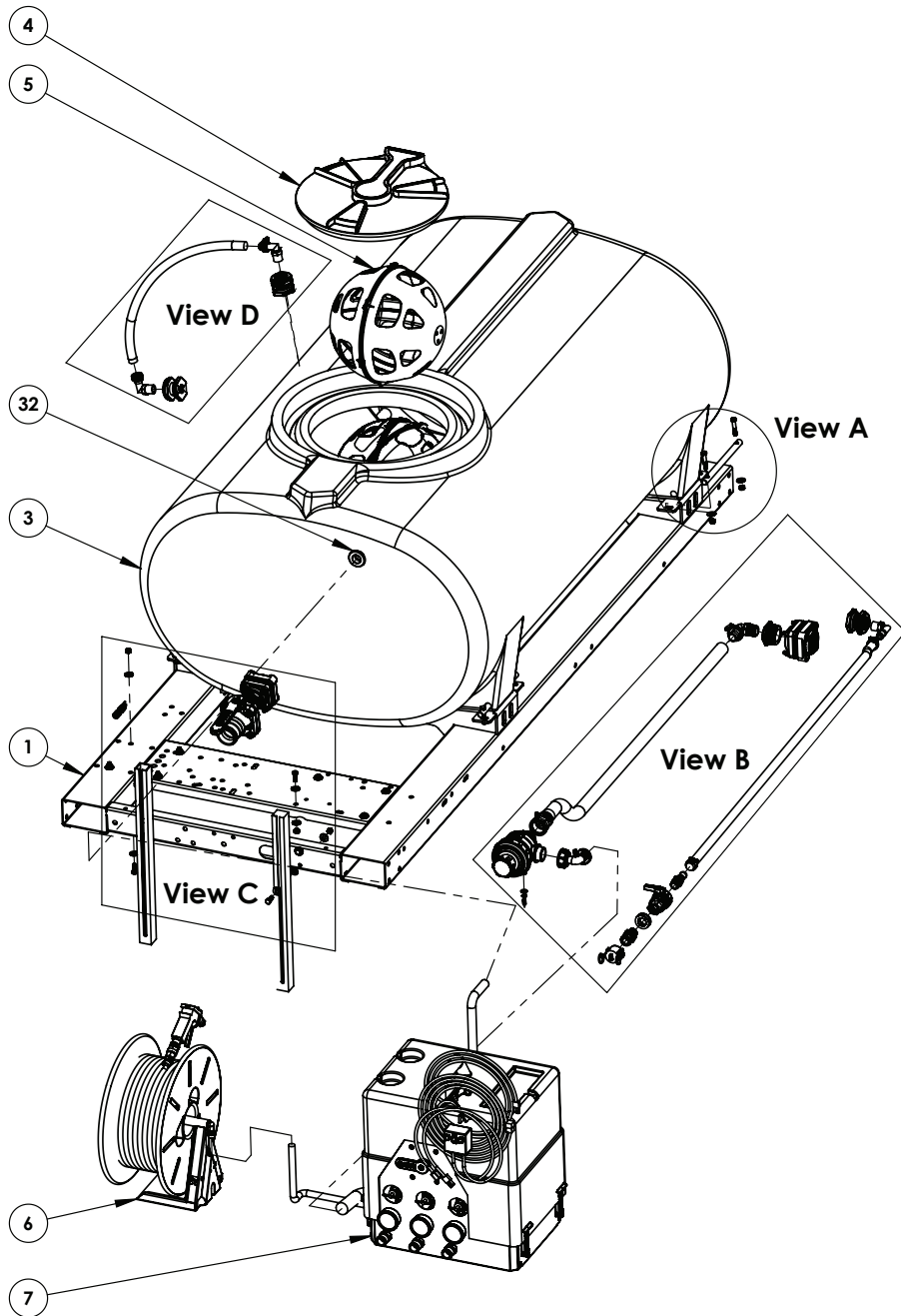
THERE ARE NO WARRANTIES, EXPRESS OR IMPLIED, WHICH EXTEND BEYOND THE LIMITED WARRANTY HEREIN STATED, AND MANUFACTURER EXPLICITLY DISCLAIMS AND EXCLUDES ANY AND ALL OTHER WARRANTIES INCLUDING BUT NOT LIMITED TO WARRANTIES OF MERCHANTABILITY, FITNESS FOR PARTICULAR PURPOSE, CUSTOM OR USAGE OF TRADE, AND COURSE OF DEALING. NO AGENT, EMPLOYEE OR REPRESENTATIVE OF MANUFACTURER HAS AUTHORITY TO BIND MANUFACTURER TO ANY REPRESENTATION OR WARRANTY EXCEPT AS STATED IN THIS LIMITED WARRANTY.

3. Limitation of Liability under the Limited Warranty - In addition to those warranties disclaimed and excluded in clause 2 above, Manufacturer expressly further limits its warranty and liability under the Limited Warranty as set forth below in this clause 3.
 - 3.1. The liability of Manufacturer under this Limited Warranty is excluded to the extent that any defect has been caused or contributed to by:
 - a) any accident, contamination, tampering, willful damage, abuse, modification, improper storage, improper use (including but without limitation the storage of material) or negligent act of, or omission by, any person other than Manufacturer;
 - b) the improper installation of the Goods, or deterioration of the base on which any of the Goods rest or are mounted to;
 - c) any damage to the Goods caused by storm, wash away, landslide, mudslide, lightning, or any other natural phenomenon, vermin or other pests, and any undermining of the base of the Tank through any cause whatsoever;
 - d) the repositioning of the Goods from their original installation;
 - e) weathering or degradation of the Goods due to extreme climatic conditions;
 - f) improper installation of extra fittings;
 - g) any staining or discoloration, including from trees or ash fall-out from fires or other causes;
 - h) a Tank not being placed on a base that is free of any protruding objects of any kind;
 - i) a Tank being used for any purpose other than the storage of suitable liquids at the ambient temperatures.

- 3.2. Without limiting the generality of clause 3.1:
- a) Manufacturer will not be liable for any personal injury, indirect or incidental damages, consequential losses, loss of liquids, loss of profit or any like claims whatsoever arising from any use of, or incidental to, or repairs to any of the Goods by a party other than Manufacturer;
 - b) to the extent that any component or material (including, but without limitation the polyethylene) used in the manufacture of any of the Goods is supplied and/or manufactured by a third party, the liability of Manufacturer is limited to Manufacturer's right of redress (if any) against the third-party supplier/manufacturer;
 - c) Tanks feature a vented lid at the time of manufacture. Any subsequent pressurization of the Tank by removing the vent, sealing the vent, or otherwise will cause this Limited Warranty as to such Tank to be null and void.
 - d) The liability of Manufacturer under this Limited Warranty is limited to, at Manufacturer's discretion:
 - e) providing a replacement Good (including shipping but excluding other replacement costs);
 - f) refunding an amount equal to a sum equal to the current Retail price divided by the months in the warranty, multiplied by the months remaining in the warranty period;
 - g) repairing the Good at no cost.
4. Proof of Purchase - The original invoice or other similar proof of purchase of the applicable must be provided by Purchaser to Manufacturer when making a claim under this Limited Warranty. Warranty claims must be received in writing by Manufacturer within the Limited Warranty period.
5. Claims and Questions - If you have questions about this Limited Warranty or to make a warranty claim, contact Manufacturer at: customercare@enduraplas.com
6. Definitions - For this Limited Warranty the following definitions apply:
- a) Manufacturer means Enduraplas LLC.
 - b) Purchase Date means the date upon which the applicable goods were purchased by the original end user.
 - c) Purchase Price means the actual price paid for the Tank by the original Purchaser.
 - d) Tank means the storage Tank manufactured by Manufacturer and purchased by the original end user Purchaser being the subject matter of the Limited Warranty.
 - e) Good(s) mean Tanks and/or other products or parts manufactured by Enduraplas LLC.
 - f) Limited Warranty means this written Limited Warranty.
7. State Law - Some states do not allow the exclusion or limitation of incidental or consequential damages, so the above limitation and exclusion may not apply to certain parties. Some states do not allow limitation on how long an implied warranty lasts, so the above limitation may not apply to certain parties. This limited warranty gives specific legal rights and other rights, which vary from state to state, may also apply.
8. Governing Law - This Limited Warranty will be governed by the laws of the State of Minnesota, without giving effect to any choice of law rule that would cause the application of the laws of any other jurisdiction.

OVERVIEW

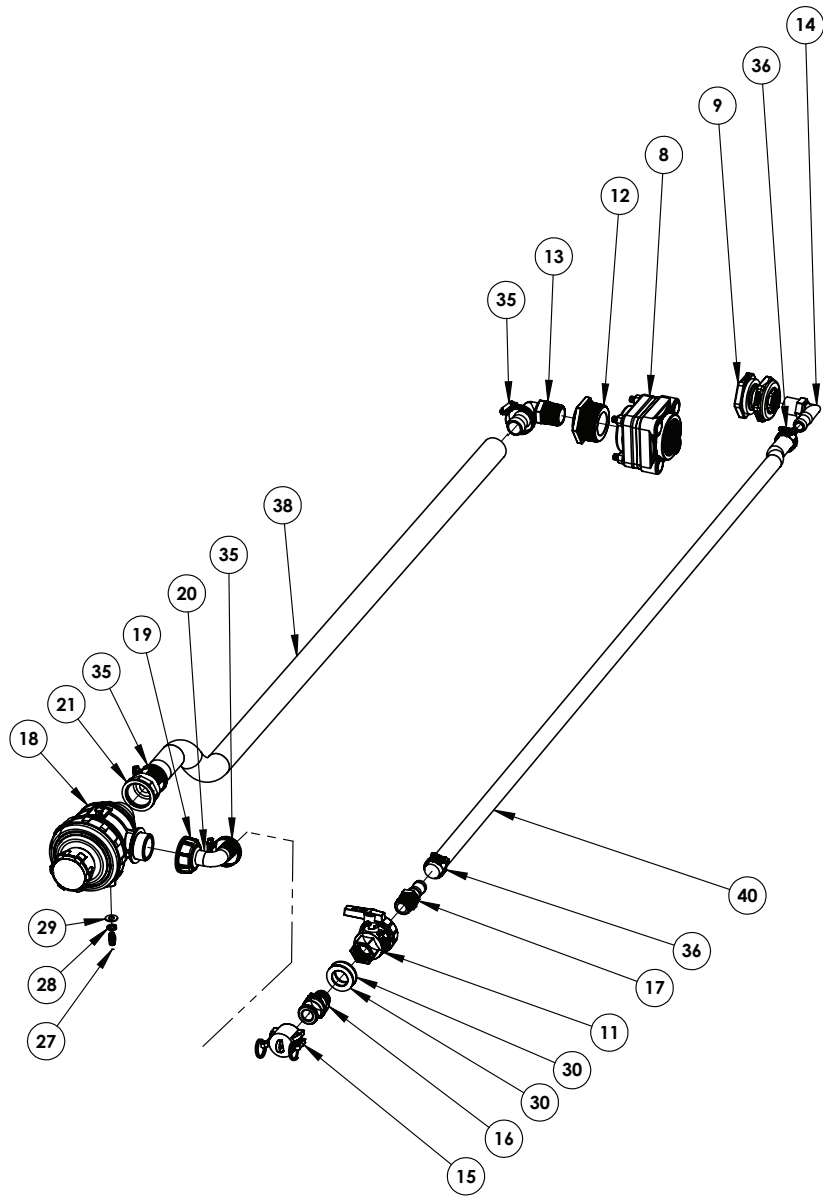
DETAIL VIEW A



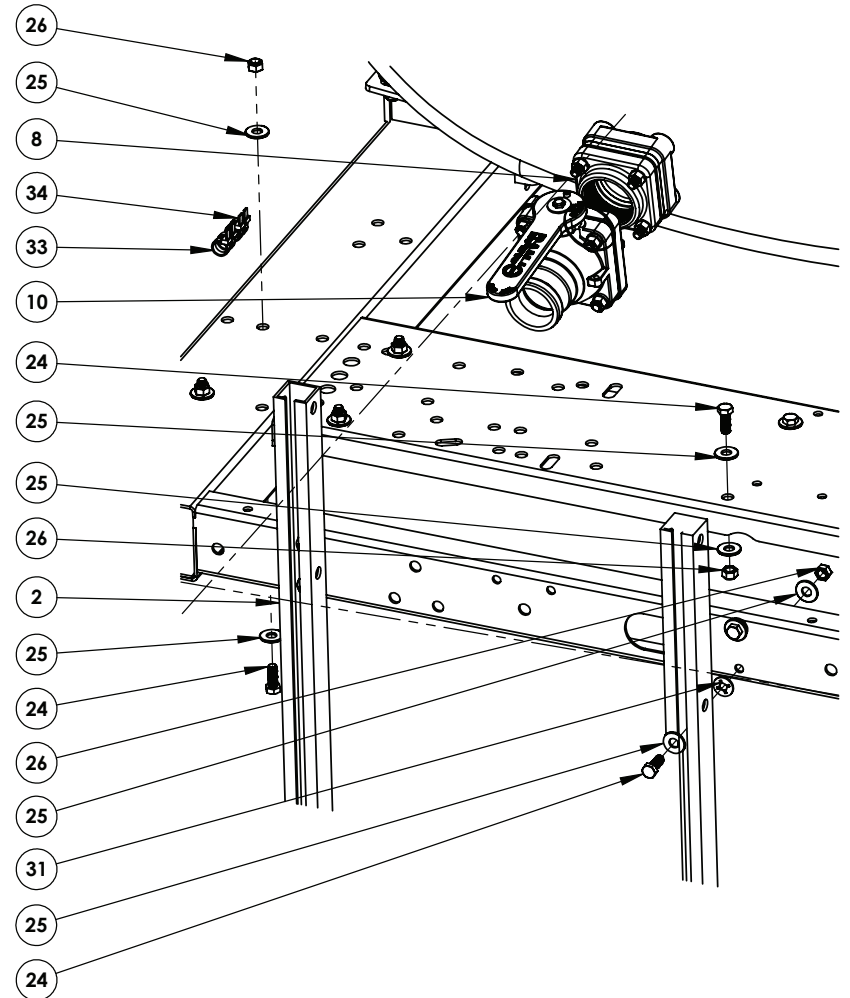
ICE MASTER® E-SERIES

ICE MASTER® E-SERIES

DETAIL VIEW B



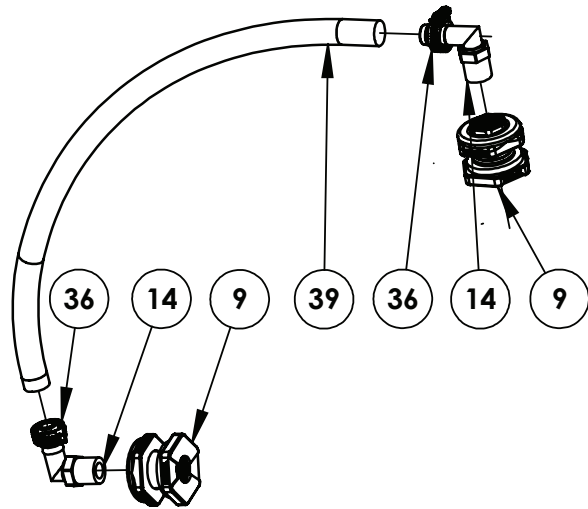
DETAIL VIEW C



ICE MASTER® E-SERIES

ICE MASTER® E-SERIES

DETAIL VIEW D



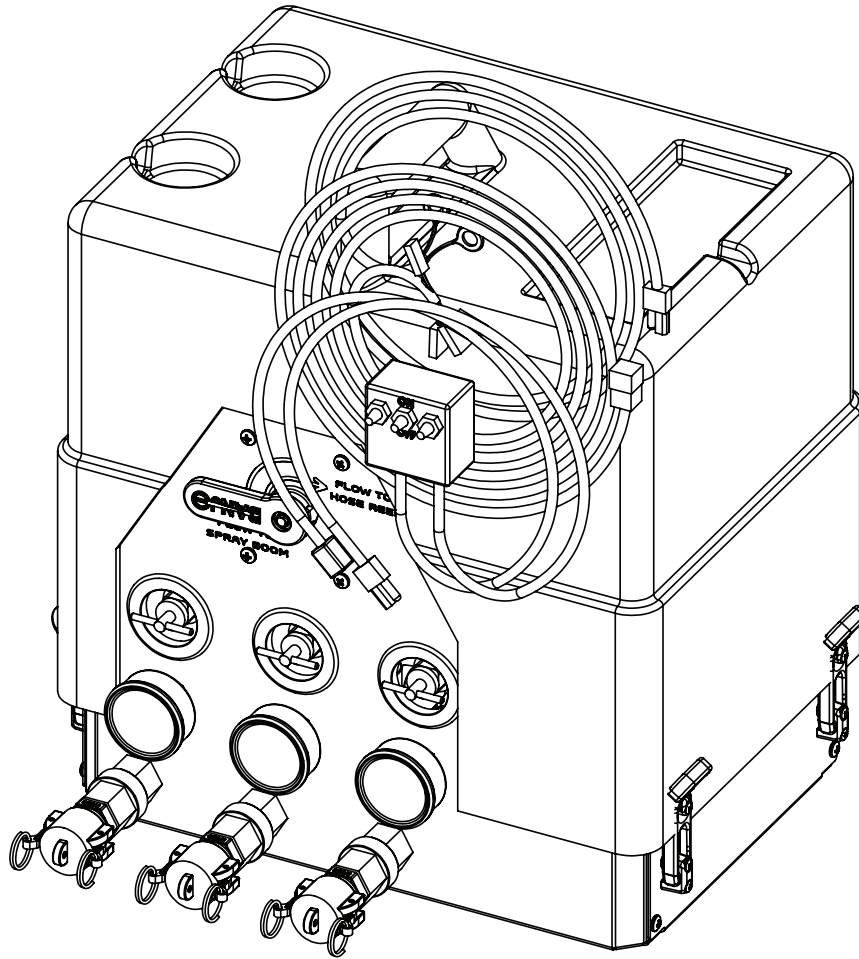
PARTS LIST

ITEM NO.	PART #	DESCRIPTION	QTY.
1	AZFPM0300	300-400Gal Fire/ProMaster Frame	1
2	AZKB0005SS	23.75" Stainless Steel Adj. Boom Bracket	2
3	THD00300OE	300 Gal Sump Tank	1
4	CFLP16HV	16 inch Hypro Lid Hinged	1
5	AVB355	STBBS35 Lg Baffle Ball	28
6	CPA0100	Ice Master Base Mount Hose Reel	1
7	IMSC1004	Ice Master Pump Box E-Series	1
8	CBBF235	2" Bolted Tank Flange	2
9	CBTF075	3/4-in Poly Tank Fitting	3
10	CBVSFMT204FP	2 FP MALE ADAPTER X 2 MALE NPT THREADS	1
11	CVPBV234	3/4 FPT Union Valve	1
12	CBRB200100	2 MPT X 1 FPT REDUCER BUSHING	1
13	CFPE05M05B	1 MNPT x 1 Hose Barb 90	1
14	CFPE04M04B	3/4 MNPT x 3/4 Hose Barb 90	3
15	CB075CAP	1/2 and 3/4 Camlock cap	1
16	CB075F	3/4 Male Adaptor x 3/4 MPT	1
17	CFPS04M04B	3/4 MNPT To 3/4 Hose Shank	1
18	CA3132453	Automatic filter 1-1/4	1
19	CA2002050	Fly-Nut 1-1/4	1
20	CA116525	Hosetail D. IN for Fly-Nut 1	1
21	CA100525	1-1/4 BSP x 1 inch hose barb	1
22	AZP02SS	11/16 x 10.5" SS tie down pin	4
23	CHBS030923	.375 x 2 Stainless Steel bolt	8
24	CHBS030523	3-8" x 1" SS Hex Bolt	12
25	CHWSF033	3/8 SS Flat washer	32
26	CHNSN0323	3/8" SS Nylock Nut	20
27	CHBS8014083	M8 x 20 MM SS hex bolt	3
28	CHWSL8083	18-8 SS LOCK WASHER	3
29	CHWSF023	5/16" SS Flat Washer	3
30	CHWSF103	1" SS Flat Washer	2
31	CHWNR03	Self retaining washer for 3/8 and M9	4
32	CPFG15	3/4 Press fit hose grommet	1
33	CXT0001	Cable Tie 14"	2
34	CXSC0002	Cable Tie 8"	2
35	CFCW003	Clamp For 1" Hose	3
36	CFCW001	Clamp For 3/4" Hose	4
37	CFCC003	Clamp for 1/2" Hose	1
38	CLUESB020005	1 IN EPDM Hose	1
39	CLUVGC03504	.75 Site Gauge Hose	1
40	CLUESB020004	3/4 Hose from .75 tank fitting to drain valve 400 Gal	1

ICE MASTER® E-SERIES

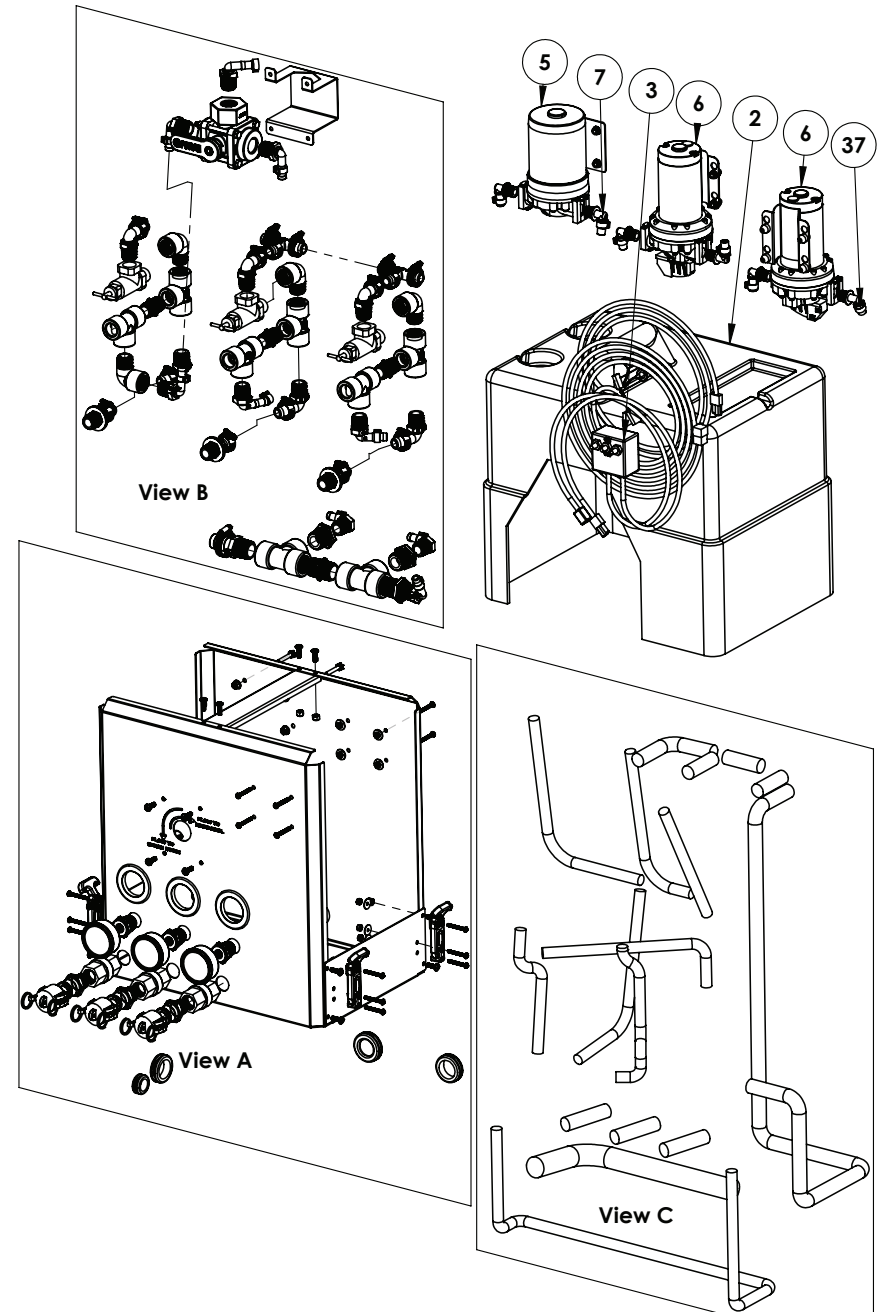
ICE MASTER® E-SERIES

OVERVIEW



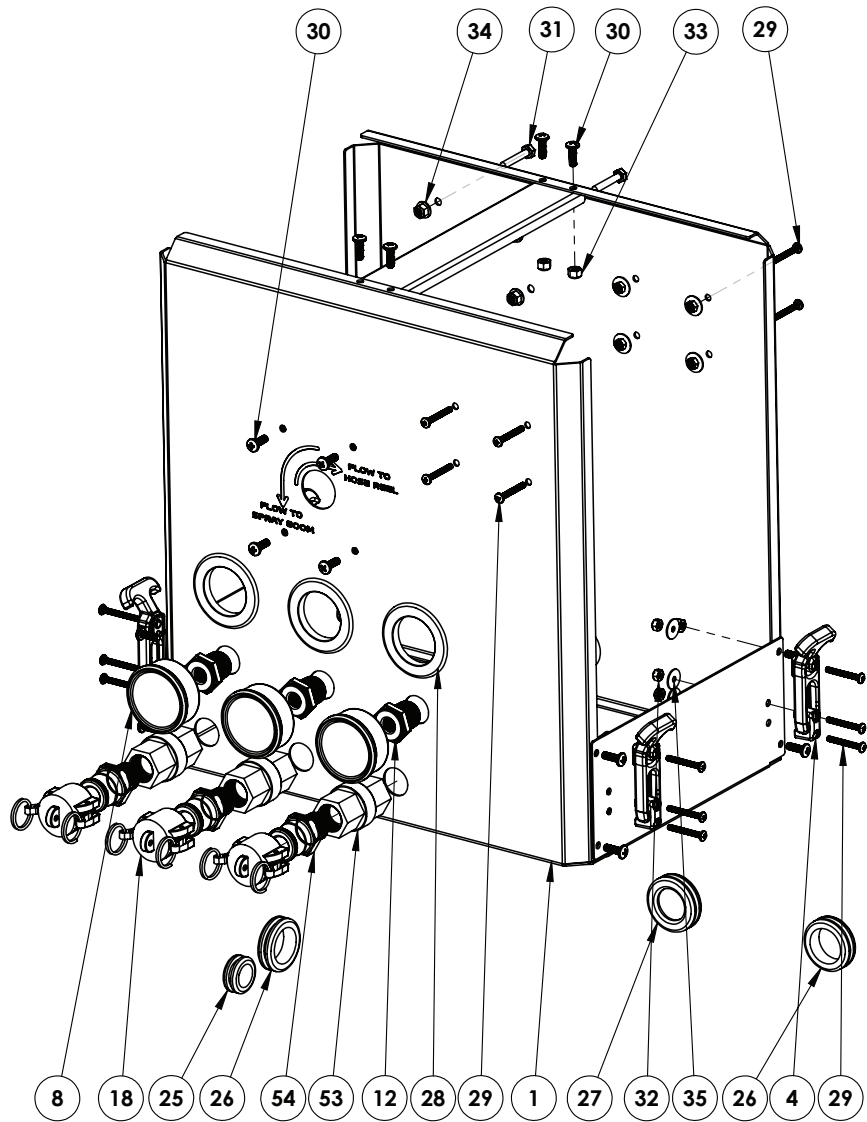
ICE MASTER® E-SERIES

OVERVIEW

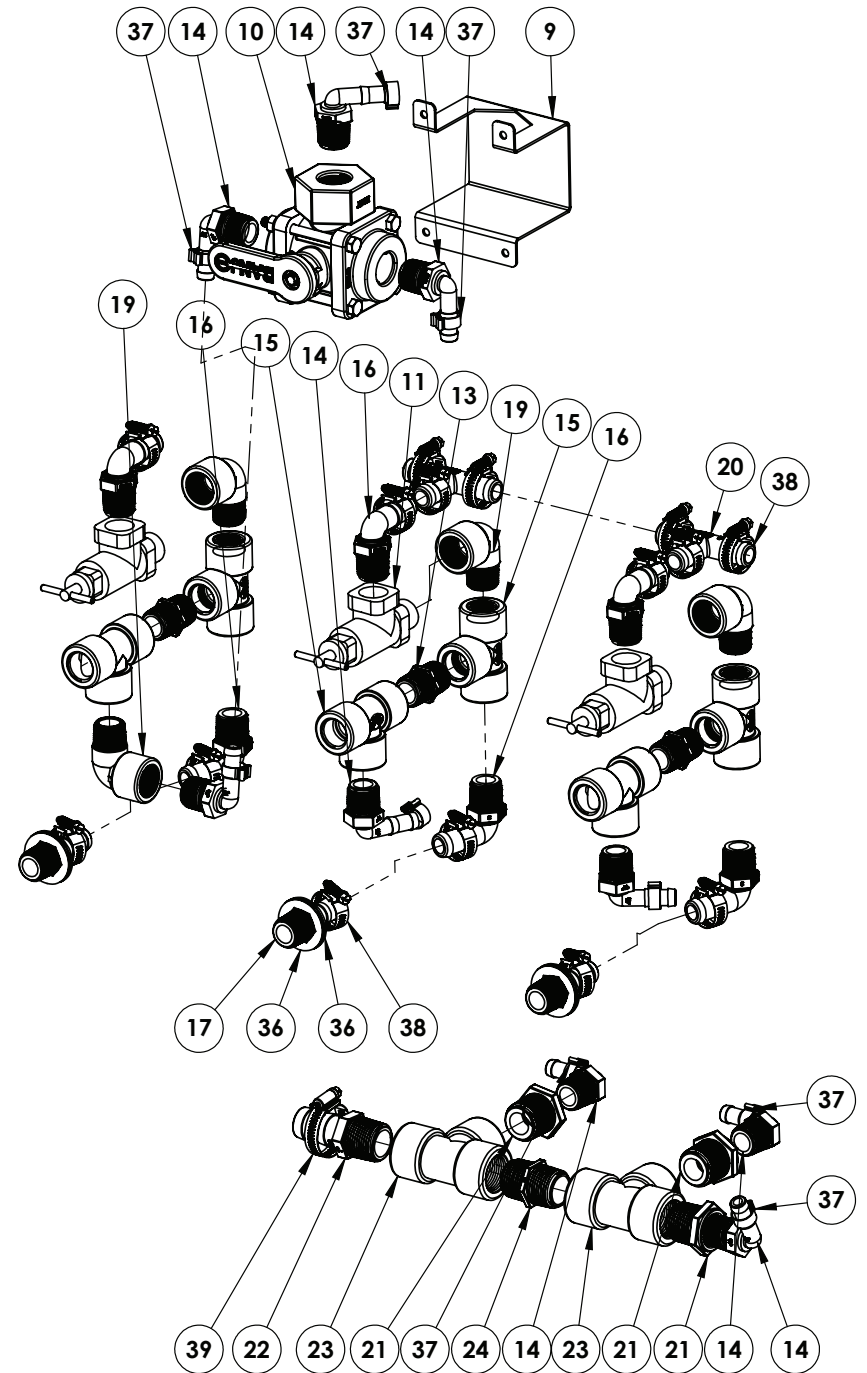


ICE MASTER® E-SERIES

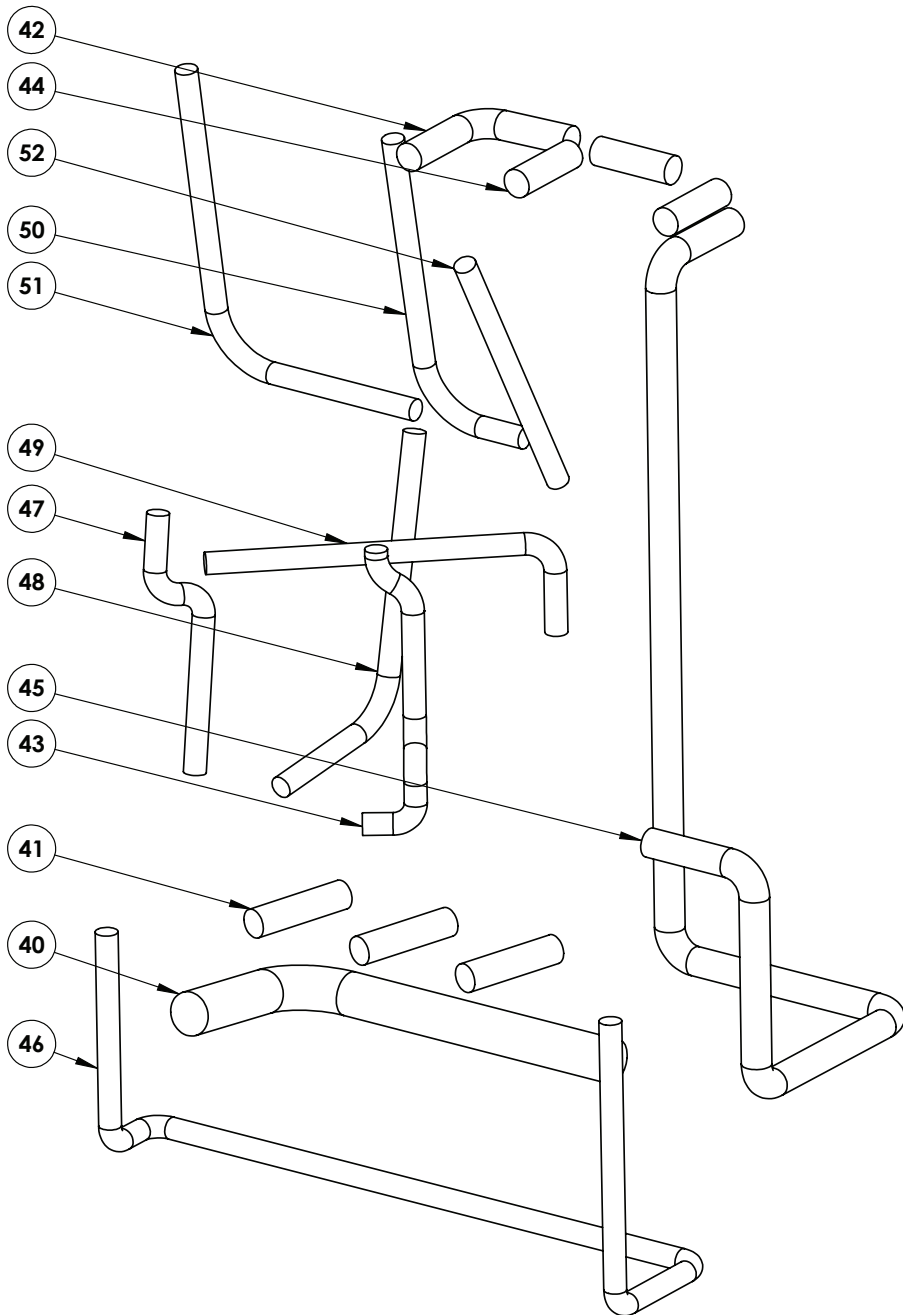
DETAIL VIEW A



DETAIL VIEW B



DETAIL VIEW C



PARTS LIST

ITEM NO.	Part #	DESCRIPTION	QTY.
1	CSLC354 CSLC355 CSLC356	Electric Deicing Pump Box	1
2	AVPC01	Pump Engine Cover	1
3	CEWCIM04	IM Wire Harness-E Series	1
4	AZKF0022	Flexible Rubber T-Handle Draw Latch	4
5	APD07G060PQB	7 GPM 60PSI, Bypass, 1/2" Quick Attach	1
6	APD05G060P	5 GPM 60 PSI QA Pump	2
7	CPPDD006	5900 Series 1/2" Elbow 90	6
8	CV2241GXB100	Pressure gauge 100psi Glycerin filled	3
9	CSLC373	Deicing electric pump box valve holder	1
10	CBV075SL	3/4 Side Load 3 Way Valve	1
11	CVRV20660158	3/4 Pressure Relief Valve	3
12	CBRB075025	3/4 MNPT x 1/4 FNPT Reducing Bushing	3
13	CFPN04M04M	3/4 Short Nipple	3
14	CFPE04M02B	3/4 MNPT x 1/2 Hose Barb 90	9
15	CBTEE075	3/4 Poly Pipe Tee	6
16	CBHB07590	3/4 Male Thread x 3/4 Hose Shank 90	6
17	CFPS04M04B	3/4 MNPT To 3/4 Hose Shank	3
18	CB075CAP	1/2 and 3/4 Camlock cap	3
19	CBSL07590	3/4 Poly Street Elbow 90	4
20	CFPT04B	3/4 Hose Barb Tee	2
21	CV3RB10034	Reducer Bushing 1" MPT X 3/4" FPT	3
22	CFPS05M05B	1 Hose Barb	1
23	CBTEE100	1 FNPT Pipe Tee	2
24	CFPN05M05M	1 Short Poly Nipple	1
25	CPFG07	Grommet for .5 hose	1
26	CTMG001	Grommet 1.5 ID	2
27	CTMG001BLANK	1.75 Round Grommet Plug	1
28	CPFG16	2 inch ID Grommet	3
29	CHSS90073	10-32 x 1.5 SS 18-8 Panhead Screw	20
30	CHMS010333	1/4" x 3/4" SS Panhead Phillips Bolt	16
31	CHBS010723	1/4 X 1-1/2 SS Bolt	4
32	CHNSN903	10-32 18-8 SS LOCKNUT	20
33	CHNSN0123	1/4" Stainless Lock Nut	20
34	CHWSF013	1/4" SS Flat Washer	4
35	CHWSK903	10 X .75 Fender Washer SS	20
36	CHWSF103	1" SS Flat Washer	6
37	CFCC003	Clamp for 1/2" Hose	15
38	CFCW001	Clamp For 3/4" Hose	15
39	CFCW003	Clamp For 1" Hose	1
40	CLUESB020005	1" EPDM Hose Filter to Manifold	1
41	CLUESB020004	.75 IN EPDM Hose To Boom Ports	3
42	CLUESB020004	.75" EPDM Hose Left Pump Return	1
43	CLUESB020004	.75 IN EPDM Hose Right pump to Right Boom	1
44	CLUESB020004	.75"EPDM Hose Center&Left Pump First Return	3

ICE MASTER® E-SERIES

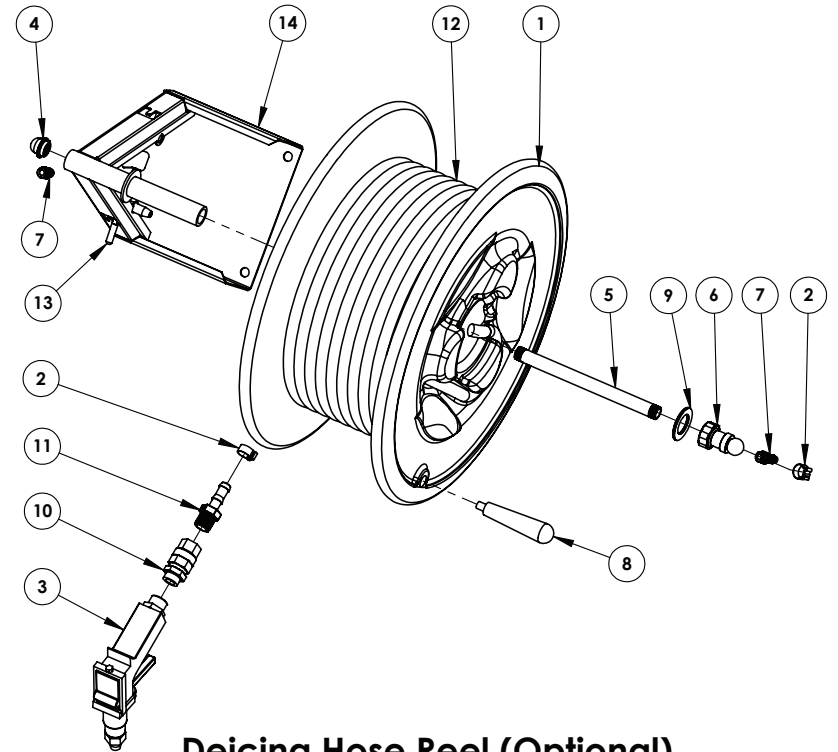
ICE MASTER® E-SERIES

PARTS LIST

ITEM NO.	Part #	DESCRIPTION	QTY.
45	CLUESB020004	.75 IN EPDM Hose Return to Tank	1
46	CLUESB020002	.5 IN EPDM Hose 2-way valve to Hose Reel	1
47	CLUESB020002	.5 IN EPDM Hose 2-way valve to Boom Supply	1
48	CLUESB020002	.5" EPDM Hose Center pump to Center Boom	1
49	CLUESB020002	.5" EPDM Hose Left pump to 2 way valve	1
50	CLUESB020002	.5" EPDM Hose Supply Left Pump	1
51	CLUESB020002	.5" EPDM Hose Supply Center Pump	1
52	CLUESB020002	.5" EPDM Hose Supply Right Pump	1
53	CNST035	3/4" ball cone spring check valve 3#	3

DETAIL VIEW HOSE REEL


ITEM NO.	PART #	DESCRIPTION	QTY.
1	AMAH01GY	HR030/050 REEL ONLY	1
2	CFCC003	Clamp for 1/2" Hose	2
3	CPLF01	Heavy Duty Spray Gun STAL16-viton seals	1
4	CFR006	1/4-3/8 BSP FEMALE ELBOW	1
5	CFR007	STAINLESS PIPE 3/8 THREAD BOTH ENDS	1
6	CFR008	3/8 X 1/4 BALL BEARING SWIVEL	1
7	CFR009	1/4 MALE THREAD X 1/2 HOSE BARB	2
8	CFRH03C	PHENOIC TAPERED HANDLE	1
9	CHWZF105	1 SAE Flat Washer	1
10	CFBW04M04FB	.5 M BSP - .5 F NPT Heavy Duty Swivel	1
11	CFPS02M02B	1/2 MNPT x 1/2 Hose Barb	1
12	CLUESB020002	1/2 EPDM HOSE - 50"	1
13	AZKH0018	Lock for Small Hose Reel	1
14	AZKH0003SS	3ASR03B HR FRAME 304 SS	1



Deicing Hose Reel (Optional)

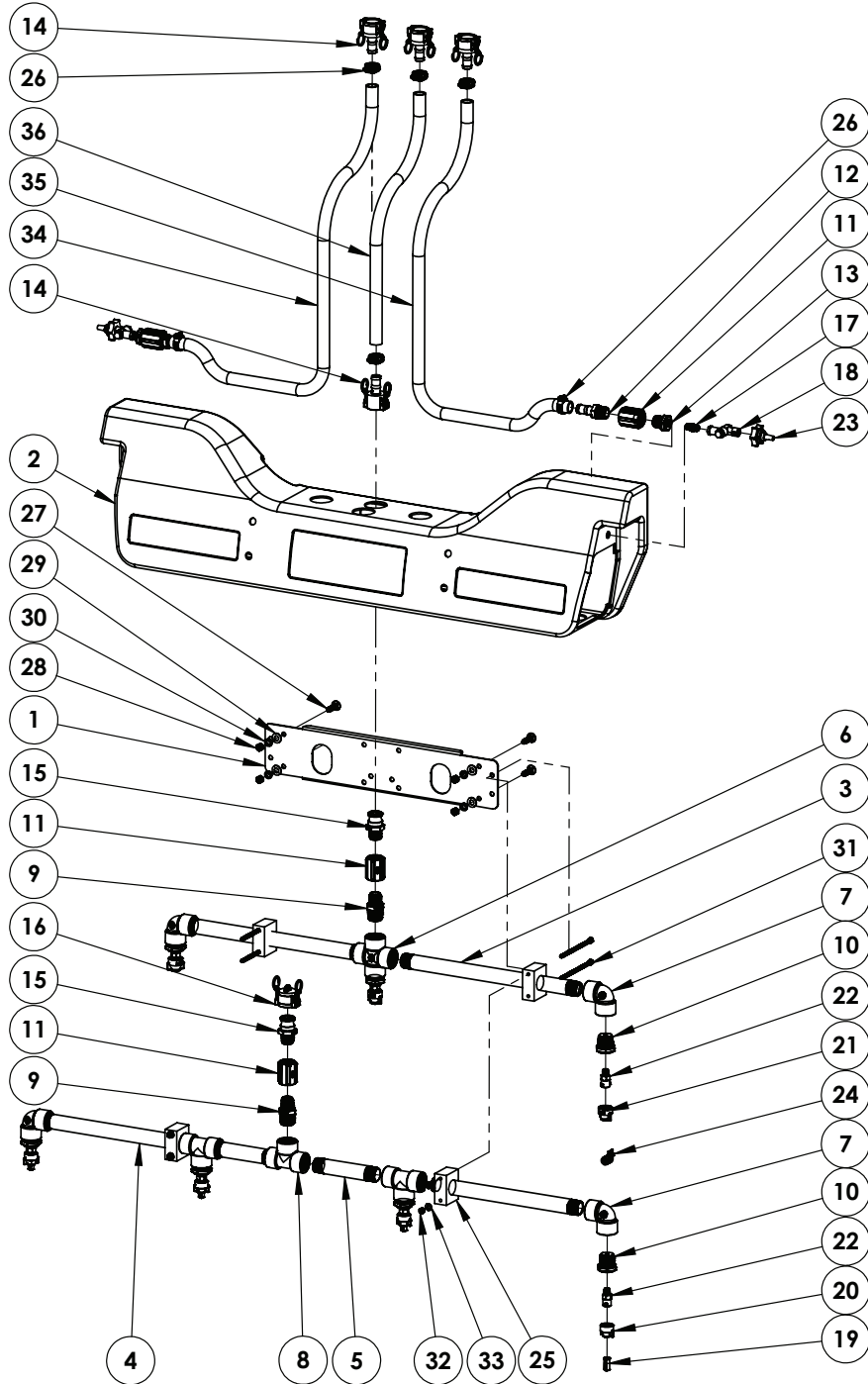
ICE MASTER® E-SERIES

ICE MASTER® E-SERIES

 Watch Instruction Videos:
www.youtube.com

Discover More Helpful Tips:
www.IceControlTraining.com

OVERVIEW



DETAIL VIEW A

ITEM NO.	Part #	DESCRIPTION	QTY.
1	AZFPM005	IMS4-6 Stainless boom bracket	1
2	AMICS001	Poly Shroud For Deicing Boom	1
3	AZFPM020	1" x 17-3/4" Poly Pipe For Deicing Boom	2
4	AZFPM022	1" x 14-13/16" Poly Pipe For Deicing Boom	2
5	AZFPM021	1" x 6-1/4" Poly Pipe For Deicing Boom	2
6	CBCR100	1" Poly Pipe Cross	1
7	CBEL10090	1" Poly Pipe Elbow 90	4
8	CBTEE100	1 FNPT Pipe Tee	3
9	CBRN100-075	1 x 3/4 Poly Reducing Nipple	2
10	CBRB100025	1" MPT x 1/4" FPT Reducer Bushing	7
11	CBCPLG075	3/4" Poly Pipe Coupling	4
12	CFPS04M04B	3/4 MNPT To 3/4 Hose Shank	2
13	CV3RB3414	3/4 x 1/4 Reducer Bushing	2
14	CB075C	3/4" Female Coupling X 3/4" Hose Shank	4
15	CB075F	3/4 Male Adaptor x 3/4 MPT	2
16	CB075CAP	1/2 and 3/4 Camlock cap	1
17	CBNIP025SSH	1/4" Short Poly Nipple	2
18	CA404072N	1/4"NPT X QA Swivel	2
19	CNST002	3 Stream White Nozzle	4
20	CNST004	25598 REP. CAP CE White & Washer	4
21	CNST009	Teejet Tip/CAP XR 1-1/2 GPM	3
22	CNST017	TeeJet 1/4" NPT x BSPT Female Connection Adapter	7
23	CNBC014	FC Boomxtender 4.3 GPM Orange Plastic Quick Connect	2
24	CXSC0002	Cable Tie 8"	2
25	AZFPM015	1" Pipe Clamp	4
26	CFCW001	Clamp For 3/4" Hose	6
27	CHBS030723C	3/8" x 1-1/2" SS Carriage Bolt	4
28	CHNSH0323	3/8" SS Hex Nut	4
29	CHWSF033	3/8" SS Flat Washer	4
30	CHWSL033	3/8" SS Lock Washer	4
31	CHBS012323	.25 x 5.5 IN 18-8 Stainless Hex Head Bolt	4
32	CHNSN0123	1/4" Stainless Lock Nut	4
33	CHWSF013	1/4" SS Flat Washer	4
34	CLUESB020004	3/4" hose (to boomless nozzle)	1
35	CLUESB020004	3/4" hose (to boomless nozzle)	1
36	CLUESB020004	3/4" Hose (Center Boom Hose)	1

ICE MASTER® E-SERIES

ICE MASTER® E-SERIES

ACTIVATE YOUR 10-YEAR WARRANTY

How to Activate

To double your 5-year tank warranty,
visit www.camionsystems.com/warranty/
and register this product.



Watch Instruction Videos:
www.youtube.com

Discover More Helpful Tips:
www.IceControlTraining.com



CAMION®

by Enduraplas

1 (877) 265-9929

cs@camionsystems.com

www.camionsystems.com

113 1st Street, Neche

ND 58265, USA



Enduraplas®

A Brand By Enduraplas

Discover More Helpful Tips:

www.IceControlTraining.com